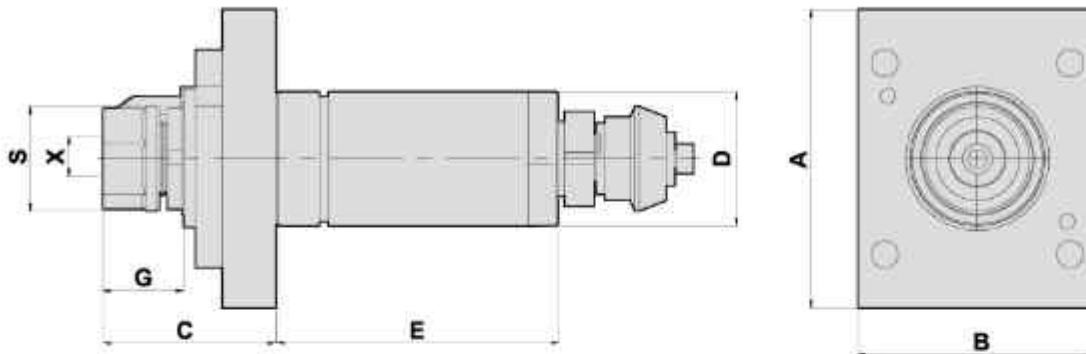


AXIAL MILLING AND DRILLING HEAD

TYPE MIYANO-BND,BNE,BNJ

軸向鑽銑刀座 (0°)



- To be used for collet DIN 6499
- External coolant supply
- Collet is not included

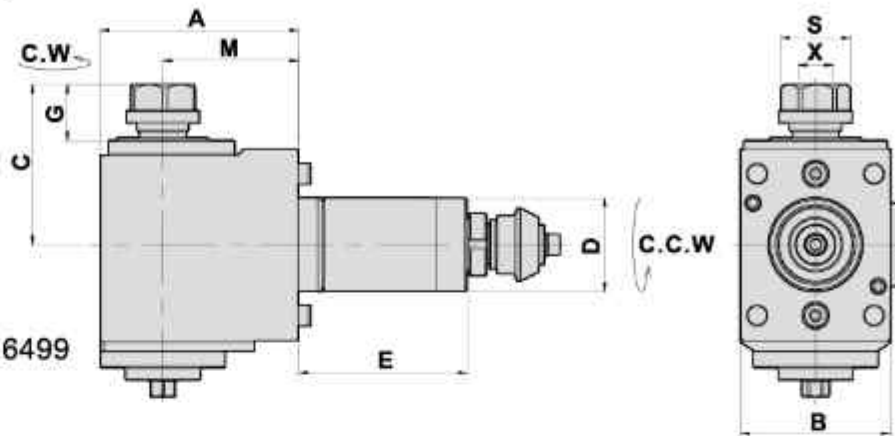
DIMENSIONS

| Models | D | X Capacity | S | Maximum R.P.M. | A | B | C | E | G | Code No. | Order No. | (Kg) Weight |
|--------------------------------|----|--------------|----|----------------|----|----|----|------|----|------------|-----------------|-------------|
| BNE-34S3 BNE-51S | 38 | 1-13 ER20 | 35 | 6000 | 70 | 74 | 62 | 57 | 30 | 1388JA-000 | BNE-DA38-ER20 | 1.7 |
| BND-51S2 BNE-34S3/51S | 45 | 1-13 ER20 | 35 | 6000 | 92 | 72 | 52 | 81 | 32 | 1458JA-000 | BNE-DA45-ER20 | 2 |
| LZ-01R2/01RY2 LZ-02R2/02RY2 | 45 | 1-16 ER25 | 42 | 6000 | 92 | 72 | 54 | 81 | 33 | 1458JB-000 | BNE-DA45-ER25 | 2.1 |
| BND-51 | 45 | 1-13 ER20 | 35 | 6000 | 86 | 80 | 58 | 44.5 | 30 | 1458JC-000 | BND-DA45-ER20-S | 1.9 |
| BNJ-34S/42S/ 34SY/42SY | 45 | 1-13 ER20 | 35 | 6000 | 92 | 72 | 50 | 116 | 28 | 1458JD-000 | BNJ-DA45-ER20 | 2.5 |

RADIAL MILLING AND DRILLING HEAD

TYPE MIYANO-BND,BNE,BNJ

徑向鑽銑刀座 (90°)



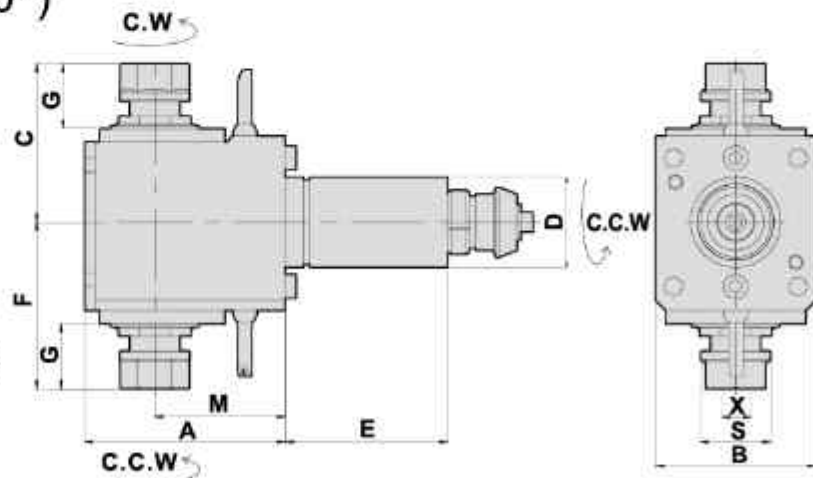
- To be used for collet DIN 6499
- External coolant supply
- Collet is not included

DIMENSIONS

| Models | D | X Capacity | S | Maximum R.P.M. | A | B | C | E | G | M | Code No. | Order No. | (Kg) Weight |
|--------------------------------|----|--------------|----|----------------|----|----|------|-----|------|----|------------|----------------|-------------|
| BND-51S2 BNE-34S3/51S | 45 | 1-13 ER20 | 35 | 5000 | 95 | 72 | 78 | 81 | 27.5 | 65 | 2458JD-000 | BNE-DF45-20-65 | 5.8 |
| LZ-01R2/01RY2 LZ-02R2/02RY2 | 45 | 1-16 ER25 | 42 | 5000 | 95 | 72 | 82 | 81 | 27.5 | 65 | 2458JE-000 | BNE-DF45-25-65 | 6 |
| BNJ- 34S/42S/ 34SY/42SY | 45 | 1-13 ER20 | 35 | 5000 | 95 | 72 | 77.5 | 116 | 27.5 | 65 | 2458JG-000 | BNJ-DF45-20-65 | 6.2 |
| | 45 | 1-16 ER25 | 42 | 5000 | 95 | 72 | 83 | 116 | 28.5 | 65 | 2458JH-000 | BNJ-DF45-25-65 | 6.2 |

RADIAL MILLING AND DRILLING HEAD DOUBLE HEADS

徑向雙頭鑽銑刀座 (90°)



- To be used for collet DIN 6499
- External coolant supply
- Collet is not included

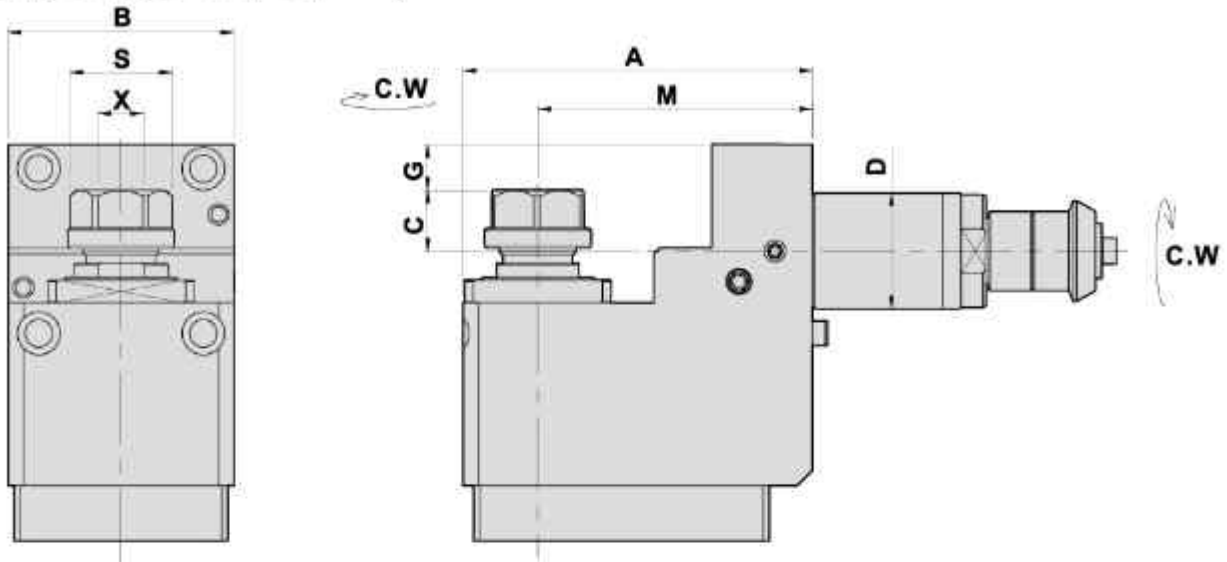
DIMENSIONS

| Models | D | X Capacity | S | Maximum R.P.M. | A | B | C | F | E | G | M | Code No. | Order No. | (Kg) Weight |
|----------------------------|----|--------------|----|----------------|----|----|----|----|-----|----|----|------------|-----------------|-------------|
| BND-51S2 BNE-34S3/51S | 45 | 1-16 ER25 | 42 | 5000 | 98 | 72 | 92 | 92 | 81 | 33 | 65 | 2458JF-000 | BNE-DF45-25-65D | 6.3 |
| BND-51S2 BNE-34S3/51S | 45 | 1-13 ER20 | 35 | 5000 | 98 | 72 | 88 | 88 | 81 | 29 | 65 | 2458JL-000 | BNE-DF45-20-65D | 6.3 |
| BNJ- 34S/42S/ 34SY/42SY | 45 | 1-16 ER25 | 42 | 5000 | 95 | 72 | 92 | 92 | 116 | 33 | 65 | 2458JI-000 | BNJ-DF45-25-65D | 6.5 |

RADIAL MILLING AND DRILLING HEAD OFFSET

TYPE MIYANO BNE

徑向後縮式鑽銑刀座 (90°)



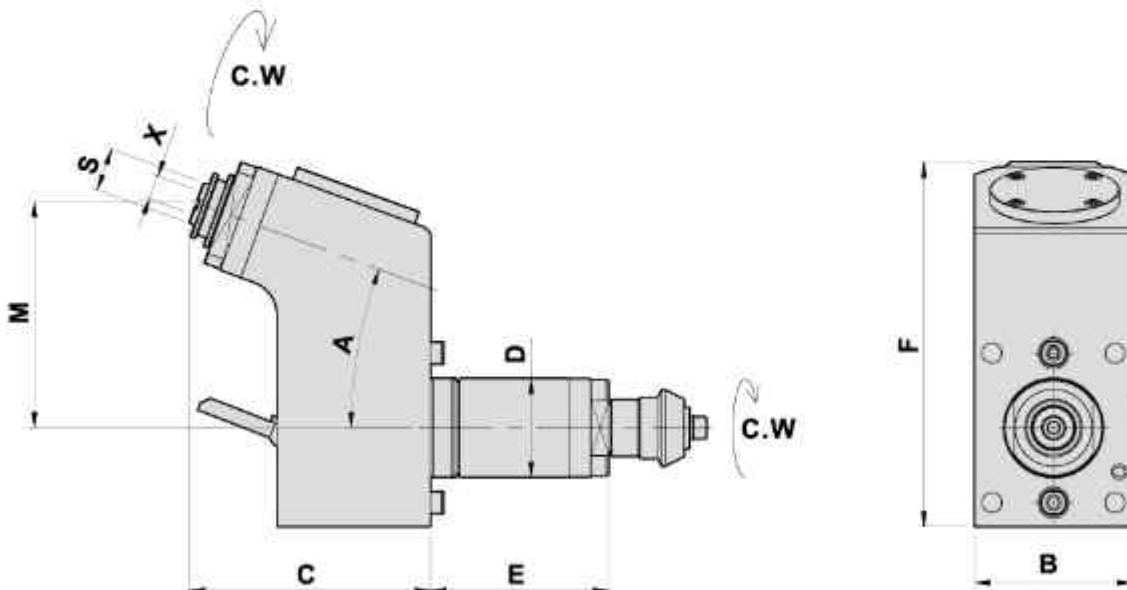
- To be used for collet DIN 6499
- Collet is not included

DIMENSIONS

| Models | D | X Capacity | S | Maximum R.P.M. | A | B | C | G | M | Code No. | Order No. | (Kg) Weight |
|---------------------|----|---------------|----|----------------|-----|----|----|----|----|------------|----------------|-------------|
| BNE-34S3 BNE-51S | 38 | 1-13 ER 20 | 35 | 5000 | 115 | 74 | 20 | 15 | 90 | 2388JB-000 | BNE-DB38-20-90 | 6.4 |

AXIAL MILLING AND DRILLING HEAD OFFSET

軸向角度偏心鑽銑刀座



- To be used for collet DIN 6499
- External coolant supply
- Collet is not included

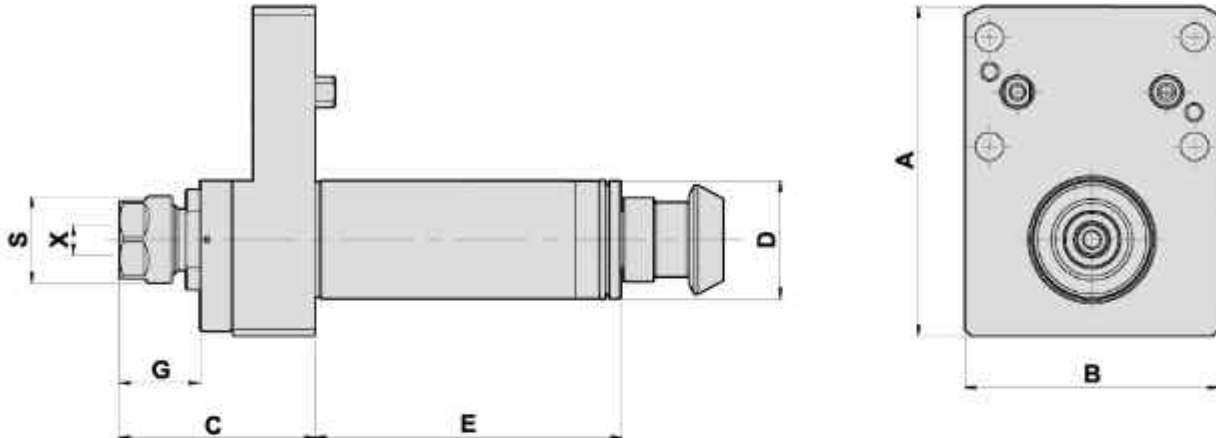
DIMENSIONS

| Models | D | X Capacity | S | Maximum R.P.M. | A | B | C | E | F | M | Code No. | Order No. | (Kg) Weight |
|--------------------------|----|---------------|----|----------------|-----|----|-----|----|-----|-----|------------|--------------------|-------------|
| BND-51S2 BNE-34S3/51S | 45 | 1-10 ER16A | 20 | 5000 | 20° | 72 | 110 | 81 | 166 | 102 | 1458JH-000 | BNE-DA45-ER16A-20° | 7 |

AXIAL MILLING AND DRILLING HEAD

TYPE MIYANO-BNJ

軸向鑽銑刀座 (0°)



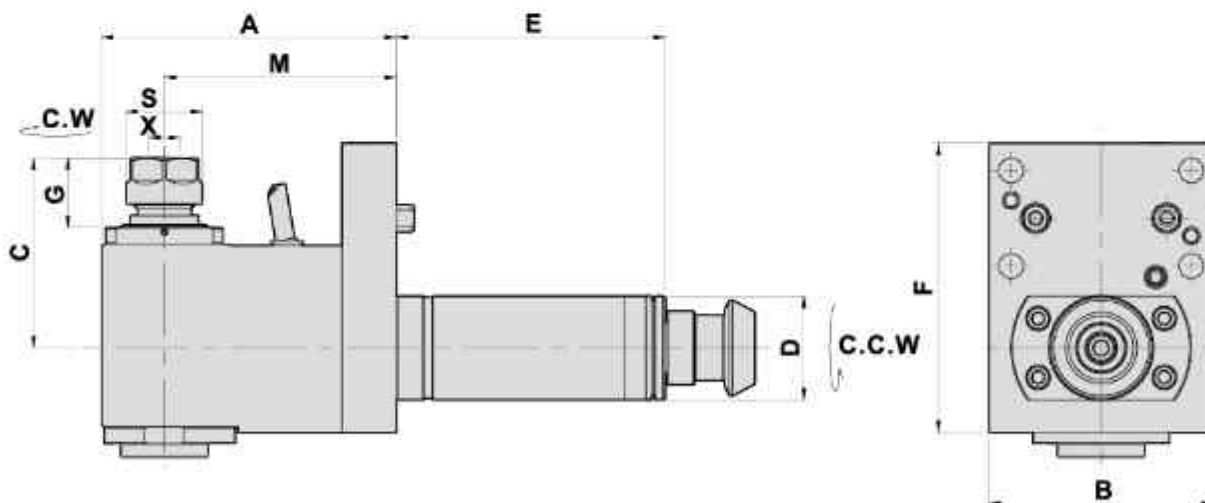
- To be used for collet DIN 6499
- External coolant supply
- Collet is not included

DIMENSIONS

| Models | D | X Capacity | S | Maximum R.P.M. | A | B | C | E | G | Code No. | Order No. | (Kg) Weight |
|----------------------------|----|--------------|----|----------------|-----|----|----|------|----|------------|---------------|-------------|
| BNJ- 34S/42S/ 34SY/42SY | 38 | 1-10 ER16 | 28 | 6000 | 106 | 82 | 63 | 98.5 | 26 | 1388JJ-000 | BNJ-DA38-ER16 | 2.8 |

RADIAL MILLING AND DRILLING HEAD

徑向鑽銑刀座 (90°)



- To be used for collet DIN 6499
- External coolant supply
- Collet is not included

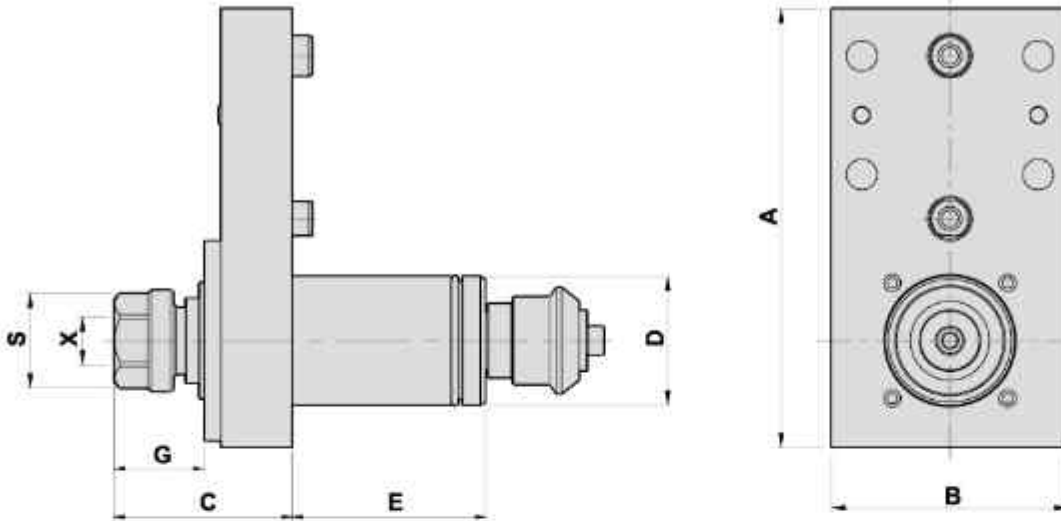
DIMENSIONS

| Models | D | X Capacity | S | Maximum R.P.M. | A | B | C | F | E | G | M | Code No. | Order No. | (Kg) Weight |
|----------------------------|----|--------------|----|----------------|-----|----|----|-----|------|----|----|------------|----------------|-------------|
| BNJ- 34S/42S/ 34SY/42SY | 38 | 1-10 ER16 | 28 | 5000 | 108 | 82 | 70 | 106 | 98.5 | 26 | 85 | 2388JJ-000 | BNJ-DF38-16-85 | 4.7 |

AXIAL MILLING AND DRILLING HEAD

TYPE MIYANO-BNC

軸向鑽銑刀座 (0°)



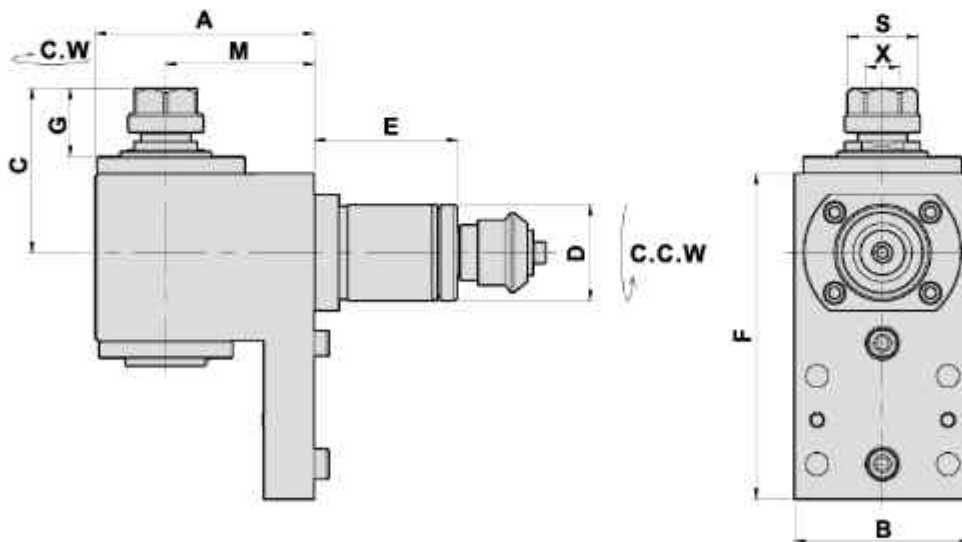
- To be used for collet DIN 6499
- External coolant supply
- Collet is not included

DIMENSIONS

| Models | D | X Capacity | S | Maximum R.P.M. | A | B | C | E | G | Code No. | Order No. | (Kg) Weight |
|--------|----|------------|----|----------------|-------|----|------|----|------|------------|---------------|-------------|
| BNC | 38 | 1-10 ER16 | 30 | 6000 | 129.5 | 70 | 52.5 | 57 | 26.5 | 1388JC-000 | BNC-DA38-ER16 | 2.2 |

RADIAL MILLING AND DRILLING HEAD

徑向鑽銑刀座 (90°)



- To be used for collet DIN 6499
- External coolant supply
- Collet is not included

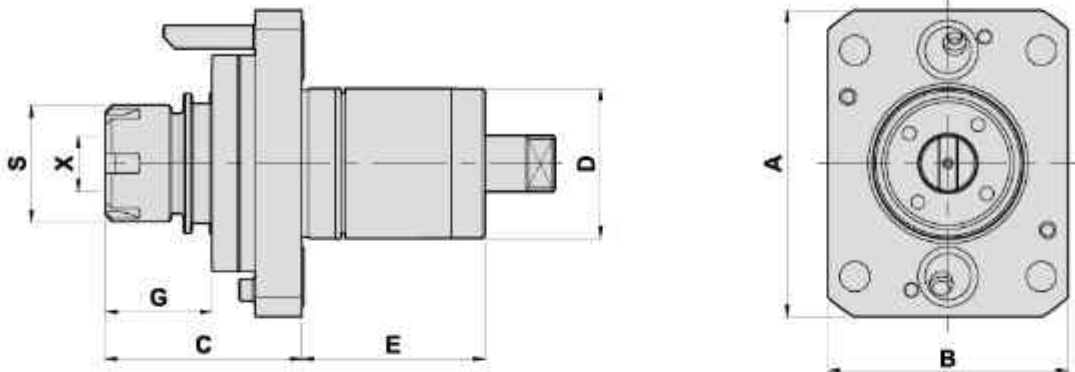
DIMENSIONS

| Models | D | X Capacity | S | Maximum R.P.M. | A | B | C | E | F | G | M | Code No. | Order No. | (Kg) Weight |
|--------|----|------------|----|----------------|----|----|----|----|-------|----|----|------------|----------------|-------------|
| BNC | 38 | 1-10 ER16 | 30 | 5000 | 87 | 70 | 65 | 57 | 129.5 | 27 | 59 | 2388JA-000 | BNC-DF38-16-59 | 4.6 |

AXIAL MILLING AND DRILLING HEAD

TYPE MIYANO-ABX

軸向鑽銑刀座 (0°)



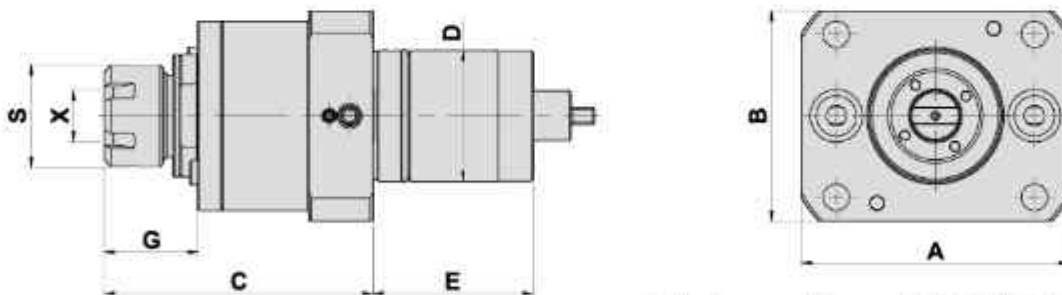
- To be used for collet DIN 6499
- External coolant supply
- Collet is not included

DIMENSIONS

| Models | D | X Capacity | S | Maximum R.P.M. | A | B | C | E | G | Code No. | Order No. | (Kg) Weight |
|---|----|---------------|----|----------------|----|----|----|----|------|------------|---------------------|-------------|
| ABX-51TH3/64TH3 ABX-51SY2/64SY2 BND-51SY2 BND-34S5/34SY5 BNE-51S5/51SY5 | 45 | 1-16 ER25M | 35 | 6000 | 92 | 72 | 59 | 55 | 32 | 1451JA-000 | ABX-DA45 -ER25M | 1.7 |
| BNE-42S6/42SY6/51S6/51SY6 BNJ-34S3/42S3/51S3 BNJ-34SY3/42SY3/51SY3 | 45 | 1-16 ER25M | 35 | 6000 | 92 | 72 | 79 | 55 | 48.1 | 1451JR-000 | ABX-DA45 ER25M-L | 1.9 |
| BNJ-34S2/42S2/51S2 BNJ-34SY2/42SY2/51SY2 | 45 | 1-13 ER 20 | 35 | 6000 | 92 | 72 | 60 | 55 | 33 | 1451JB-000 | ABX-DA45 -ER20 | 1.7 |

AXIAL MILLING AND DRILLING HEAD

軸向鑽銑刀座 (0°)



- To be used for collet DIN 6499
- Internal coolant supply: 15bar 中心出水
- Collet is not included

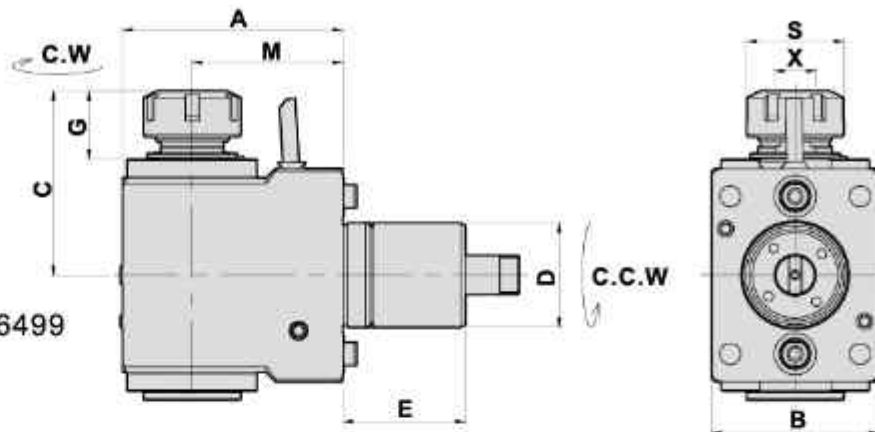
DIMENSIONS

| Models | D | X Capacity | S | Maximum R.P.M. | A | B | C | E | G | Code No. | Order No. | (Kg) Weight |
|--|----|---------------|----|----------------|----|----|----|----|----|------------|---------------------------|-------------|
| ABX-51TH3/64TH3 ABX-51SY2/64SY2 BND-51SY2 BND-34S5/34SY5 BNE-51S5/51SY5 BNE-42S6/42SY6/51S6/51SY6 BNJ-34S3/42S3/51S3 BNJ-34SY3/42SY3/51SY3 BNJ-34S2/42S2/51S2 BNJ-34SY2/42SY2/51SY2 | 45 | 1-16 ER25M | 35 | 6000 | 92 | 72 | 92 | 55 | 32 | 1451JF-000 | ABX-CW- DA45- ER25M | 2.7 |

RADIAL MILLING AND DRILLING HEAD

TYPE MIYANO ABX

徑向鑽銑刀座 (90°)



- To be used for collet DIN 6499
- External coolant supply
- Collet is not included

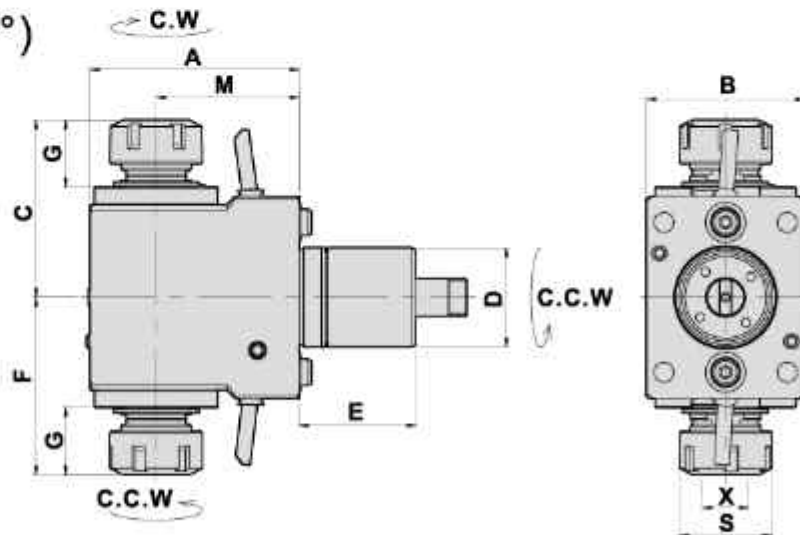
DIMENSIONS

| Models | D | X Capacity | S | Maximum R.P.M. | A | B | C | E | G | M | Code No. | Order No. | (Kg) Weight |
|---|----|--------------|----|----------------|-----|----|------|----|------|----|-------------|-----------------|-------------|
| ABX-51TH3/64TH3 ABX-51SY2/64SY2 BND-51SY2 BND-34S5/34SY5 BNE-51S5/51SY5 | 45 | 1-16 ER25 | 42 | 5000 | 95 | 72 | 79.5 | 53 | 29.5 | 65 | 2451JA-000 | ABX-DF45-25-65 | 4.8 |
| BNE-42S6/42SY6/51S6/51SY6 BNJ-34S3/42S3/51S3 BNJ-34SY3/42SY3/51SY3 BNJ-34S2/42S2/51S2 BNJ-34SY2/42SY2/51SY2 | 45 | 1-13 ER20 | 35 | 5000 | 95 | 72 | 80.5 | 53 | 30.5 | 65 | 2451JB-000 | ABX-DF45-20-65 | 4.8 |
| | 45 | 1-16 ER25 | 42 | 10000 | 95 | 72 | 81.5 | 53 | 29.5 | 65 | *2451JH-000 | ABX-DF45-25-65I | 5 |
| | 45 | 1-16 ER25 | 42 | 5000 | 116 | 72 | 79.5 | 53 | 29.5 | 85 | 2451JL-000 | ABX-DF45-25-85 | 5.8 |

*2倍增速

RADIAL MILLING AND DRILLING HEAD DOUBLE HEADS

徑向雙頭鑽銑刀座 (90°)



- To be used for collet DIN 6499
- External coolant supply
- Collet is not included

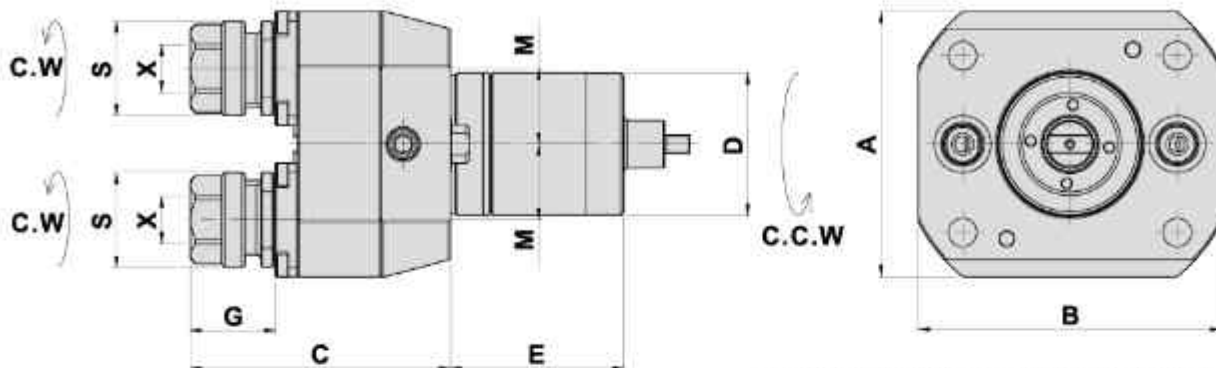
DIMENSIONS

| Models | D | X Capacity | S | Maximum R.P.M. | A | B | C | F | E | G | M | Code No. | Order No. | (Kg) Weight |
|---|----|--------------|----|----------------|-----|----|------|------|----|------|----|------------|-----------------|-------------|
| ABX-51TH3/64TH3 ABX-51SY2/64SY2 BND-51SY2 BND-34S5/34SY5 BNE-51S5/51SY5 | 45 | 1-16 ER25 | 42 | 5000 | 95 | 72 | 80.5 | 80.5 | 53 | 30.5 | 65 | 2451JE-000 | ABX-DF45-25-65D | 5 |
| BNE-42S6/42SY6/51S6/51SY6 BNJ-34S3/42S3/51S3 BNJ-34SY3/42SY3/51SY3 BNJ-34S2/42S2/51S2 BNJ-34SY2/42SY2/51SY2 | 45 | 1-13 ER20 | 35 | 5000 | 95 | 72 | 78.5 | 78.5 | 53 | 28.5 | 65 | 2451JF-000 | ABX-DF45-20-65D | 4.9 |
| | 45 | 1-16 ER25 | 42 | 5000 | 116 | 72 | 80.5 | 80.5 | 53 | 30.5 | 85 | 2451JK-000 | ABX-DF45-25-85D | 6 |

AXIAL MILLING AND DRILLING HEAD DOUBLE HEAD, Y OFFSET

TYPE MIYANO ABX

軸向鑽銑刀座-雙頭Y軸偏心 (0°)

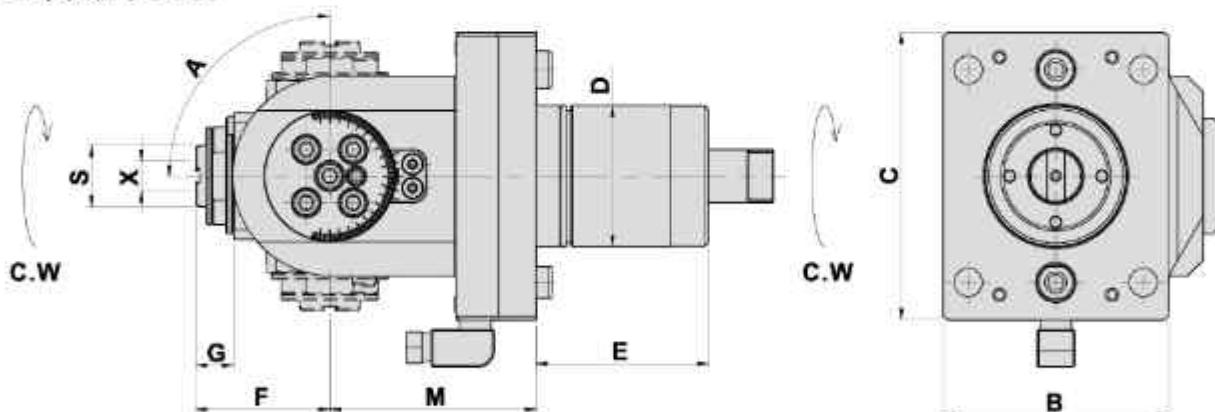


- To be used for collet DIN 6499
- External coolant supply
- Collet is not included

DIMENSIONS

| Models | D | X Capacity | S | Maximum R.P.M. | A | B | C | E | G | M | Code No. | Order No. | (Kg) Weight |
|--|----|--------------|----|----------------|----|----|------|----|----|----|------------|-------------------|-------------|
| ABX-51TH3/64TH3 ABX-51SY2/64SY2 BND-51SY2 BND-34S5/34SY5 BNE-51S5/51SY5 BNE-42S6/42SY6/51S6/51SY6 BNJ-34S3/42S3/51S3 BNJ-34SY3/42SY3/51SY3 BNJ-34S2/42S2/51S2 BNJ-34SY2/42SY2/51SY2 | 45 | 1-10 ER16 | 30 | 6000 | 84 | 96 | 82.5 | 55 | 27 | 24 | 1451JD-000 | ABX-DA45 -16DY | 3.5 |

ANGULAR HEAD 萬向鑽銑刀座



- To be used for collet DIN 6499
- External coolant supply
- Collet is not included

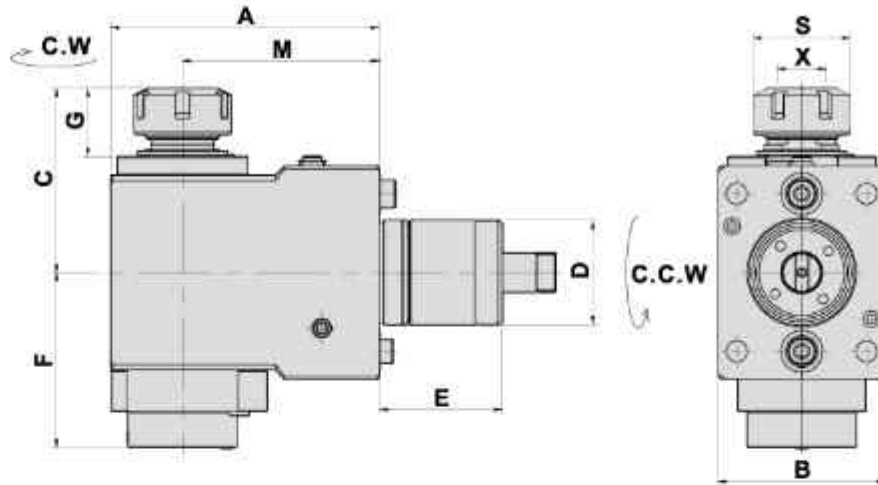
DIMENSIONS

| Models | D | X Capacity | S | Maximum R.P.M. | A | B | C | E | F | G | M | Code No. | Order No. | (Kg) Weight |
|--|----|---------------|----|----------------|------|----|----|----|----|----|----|------------|--------------------|-------------|
| ABX-51TH3/64TH3 ABX-51SY2/64SY2 BND-51SY2 BND-34S5/34SY5 BNE-51S5/51SY5 BNE-42S6/42SY6/51S6/51SY6 BNJ-34S3/42S3/51S3 BNJ-34SY3/42SY3/51SY3 BNJ-34S2/42S2/51S2 BNJ-34SY2/42SY2/51SY2 | 45 | 1-10 ER16A | 20 | 5000 | ±90° | 72 | 92 | 55 | 43 | 12 | 66 | 1451JC-000 | ABX-DA45 -16BAC | 4 |

RADIAL MILLING AND DRILLING HEAD

TYPE MIYANO ABX

徑向鑽銑刀座 (90°)



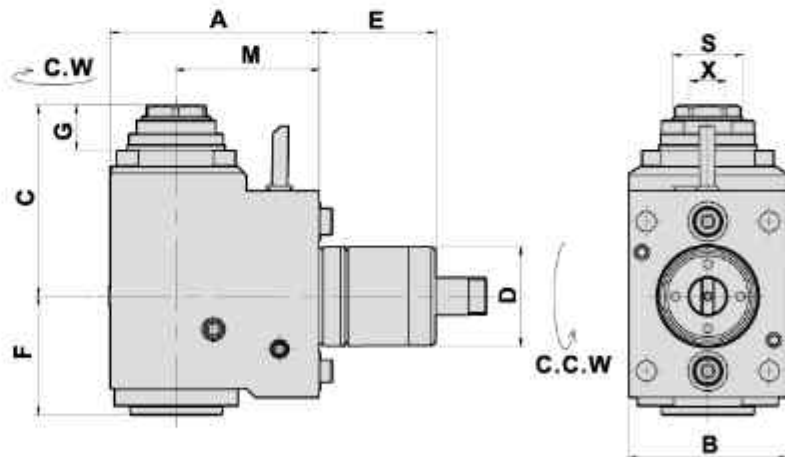
- To be used for collet DIN 6499
- Internal coolant supply: 50bar 中心出水
- Collet is not included

DIMENSIONS

| Models | D | X Capacity | S | Maximum R.P.M. | A | B | C | E | F | G | M | Code No. | Order No. | (Kg) Weight |
|--|----|--------------|----|----------------|-----|----|------|----|------|------|----|------------|-----------------------|-------------|
| ABX-51TH3/64TH3 ABX-51SY2/64SY2 BND-51SY2 BND-34S5/34SY5 BNE-51S5/51SY5 BNE-42S6/42SY6/51S6/51SY6 BNJ-34S3/42S3/51S3 BNJ-34SY3/42SY3/51SY3 BNJ-34S2/42S2/51S2 BNJ-34SY2/42SY2/51SY2 | 45 | 1-16 ER25 | 42 | 5000 | 116 | 72 | 79.5 | 53 | 75.5 | 29.5 | 85 | 2451JM-000 | ABX-CW-DF45 -25-85 | 6.2 |

RADIAL MILLING AND DRILLING HEAD

徑向鑽銑刀座 (90°)



- To be used for collet DIN 6499
- External coolant supply
- Collet is not included

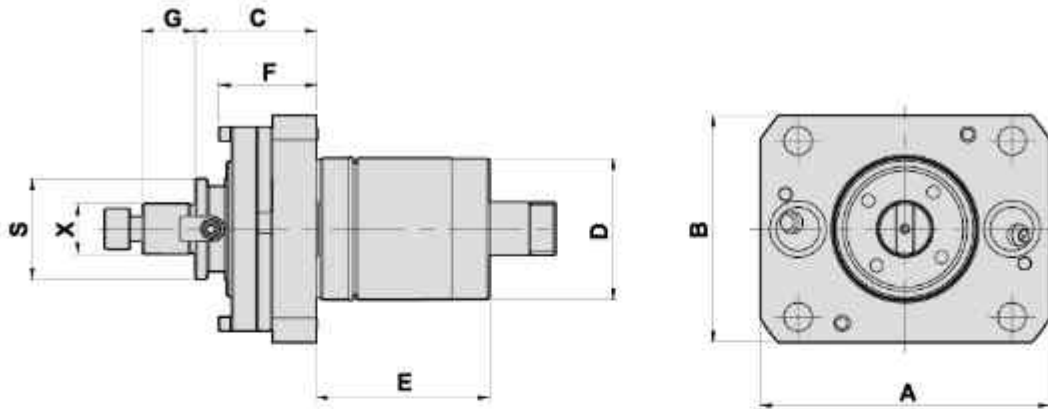
DIMENSIONS

| Models | D | X Capacity | S | Maximum R.P.M. | A | B | C | E | F | G | M | Code No. | Order No. | (Kg) Weight |
|--|----|---------------|----|----------------|----|----|----|----|----|------|----|------------|---------------------|-------------|
| ABX-51TH3/64TH3 ABX-51SY2/64SY2 BND-51SY2 BND-34S5/34SY5 BNE-51S5/51SY5 BNE-42S6/42SY6/51S6/51SY6 BNJ-34S3/42S3/51S3 BNJ-34SY3/42SY3/51SY3 BNJ-34S2/42S2/51S2 BNJ-34SY2/42SY2/51SY2 | 45 | 1-16 ER25A | 35 | 5000 | 95 | 72 | 87 | 53 | 54 | 20.5 | 65 | 2451JC-000 | ABX-DF45 -25A-65 | 5.3 |

AXIAL MILLING AND DRILLING HEAD

TYPE MIYANO ABX

軸向銑削刀座 (0°)



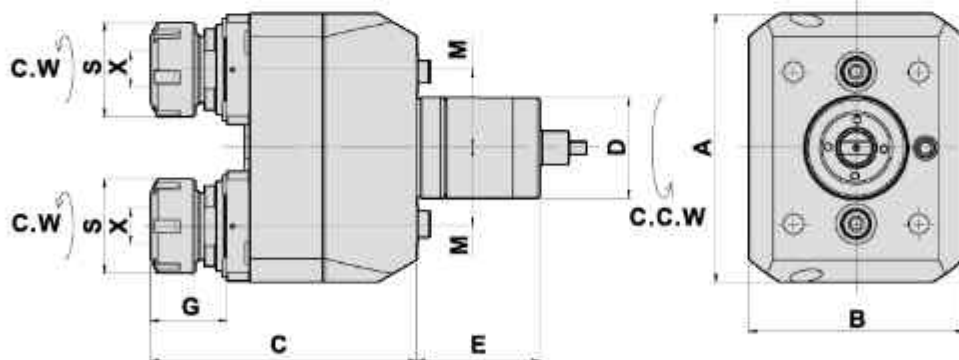
- To be used for collet DIN 6499
- External coolant supply
- Collet is not included

DIMENSIONS

| Models | D | X | S | Maximum R.P.M. | A | B | C | E | G | M | Code No. | Order No. | (Kg) Weight |
|--|----|----|----|----------------|----|----|----|----|----|----|------------|--------------|-------------|
| ABX-51TH3/64TH3 ABX-51SY2/64SY2 BND-51SY2 BND-34S5/34SY5 BNE-51S5/51SY5 BNE-42S6/42SY6/51S6/51SY6 BNJ-34S3/42S3/51S3 BNJ-34SY3/42SY3/51SY3 BNJ-34S2/42S2/51S2 BNJ-34SY2/42SY2/51SY2 | 45 | 16 | 32 | 6000 | 92 | 72 | 39 | 55 | 17 | 31 | 1451JG-000 | ABX-DA45-16C | 1.7 |

AXIAL MILLING AND DRILLING HEAD DOUBLE HEAD, X OFFSET

軸向鑽銑刀座-雙頭X軸偏心 (0°)



- To be used for collet DIN 6499
- External coolant supply
- Collet is not included

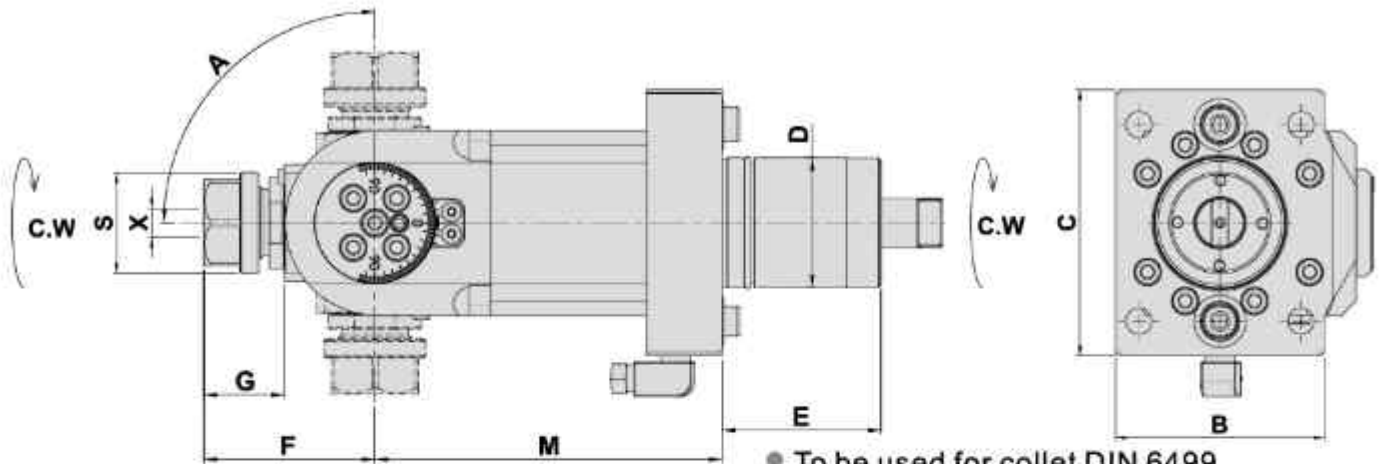
DIMENSIONS

| Models | D | X Capacity | S | Maximum R.P.M. | A | B | C | E | G | M | Code No. | Order No. | (Kg) Weight |
|--|----|---------------|----|----------------|-----|----|-----|----|----|----|------------|---------------|-------------|
| ABX-51TH3/64TH3 ABX-51SY2/64SY2 BND-51SY2 BND-34S5/34SY5 BNE-51S5/51SY5 BNE-42S6/42SY6/51S6/51SY6 BNJ-34S3/42S3/51S3 BNJ-34SY3/42SY3/51SY3 BNJ-34S2/42S2/51S2 BNJ-34SY2/42SY2/51SY2 | 45 | 1-16 ER 25 | 42 | 6000 | 120 | 96 | 119 | 55 | 34 | 35 | 1451JJ-000 | ABX-DA45-25DX | 6.9 |

ANGULAR HEAD

TYPE MIYANO ABX

萬向鑽銑刀座



- To be used for collet DIN 6499
- External coolant supply
- Collet is not included

| Models | D | X Capacity | S | Maximum R.P.M. | A | B | C | E | F | G | M | Code No. | Order No. | (Kg) Weight |
|--|----|--------------|----|----------------|------|----|----|----|------|----|-----|------------|------------------|-------------|
| ABX-51TH3/64TH3 ABX-51SY2/64SY2 BND-51SY2 BND-34S5/34SY5 BNE-51S5/51SY5 BNE-42S6/42SY6/51S6/51SY6 BNJ-34S3/42S3/51S3 BNJ-34SY3/42SY3/51SY3 BNJ-34S2/42S2/51S2 BNJ-34SY2/42SY2/51SY2 | 45 | 1-13 ER20 | 35 | 5000 | ±90° | 72 | 92 | 55 | 59.1 | 28 | 120 | 1451JS-000 | ABX-DA45-20B-120 | 6.1 |

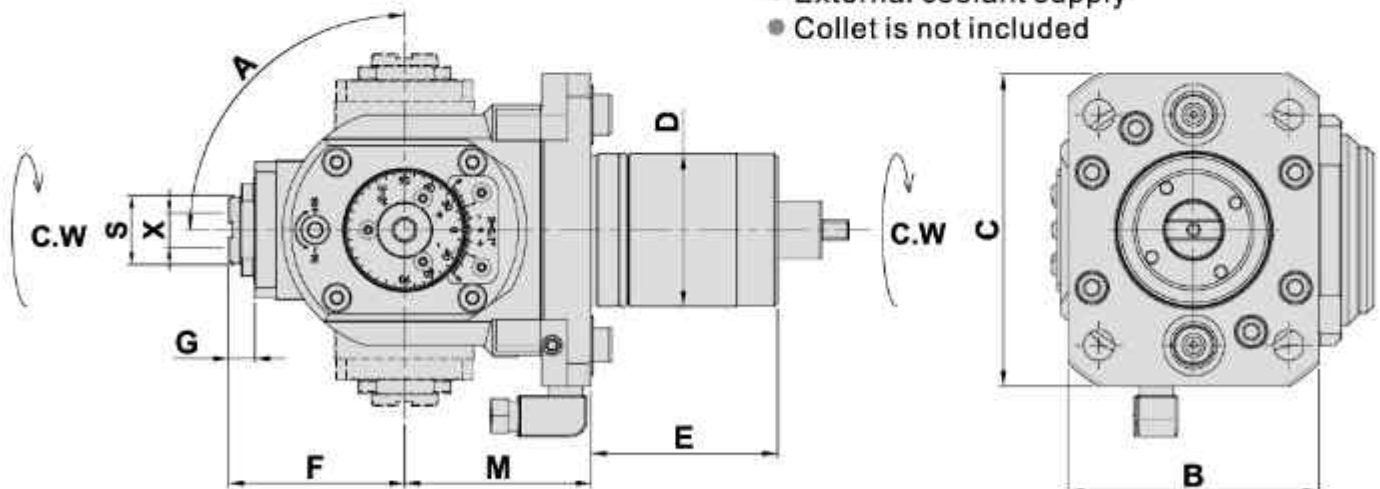
ANGULAR HEAD

萬向鑽銑刀座

角度可使用扳手微調

The angle can be adjusted by wrench.

- To be used for collet DIN 6499
- External coolant supply
- Collet is not included



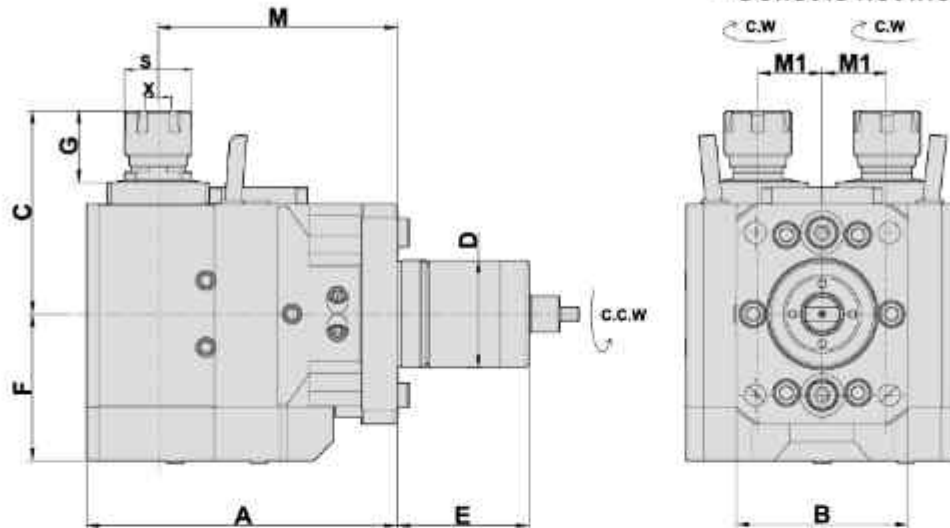
| Models | D | X Capacity | S | Maximum R.P.M. | A | B | C | E | F | G | M | Code No. | Order No. | (Kg) Weight |
|--|----|---------------|----|----------------|------|----|----|----|------|-----|----|------------|-------------------|-------------|
| ABX-51TH3/64TH3 ABX-51SY2/64SY2 BND-51SY2 BND-34S5/34SY5 BNE-51S5/51SY5 BNE-42S6/42SY6/51S6/51SY6 BNJ-34S3/42S3/51S3 BNJ-34SY3/42SY3/51SY3 BNJ-34S2/42S2/51S2 BNJ-34SY2/42SY2/51SY2 | 45 | 1-10 ER16A | 20 | 5000 | ±90° | 74 | 92 | 55 | 51.9 | 7.7 | 55 | 1451JU-000 | ABX-DA45-16BAC-FT | 3.9 |

RADIAL MILLING AND DRILLING HEAD

TYPE MIYANO ABX

徑向鑽銑刀座(90°)

- To be used for collet DIN 6499
- External coolant supply
- Collet is not included

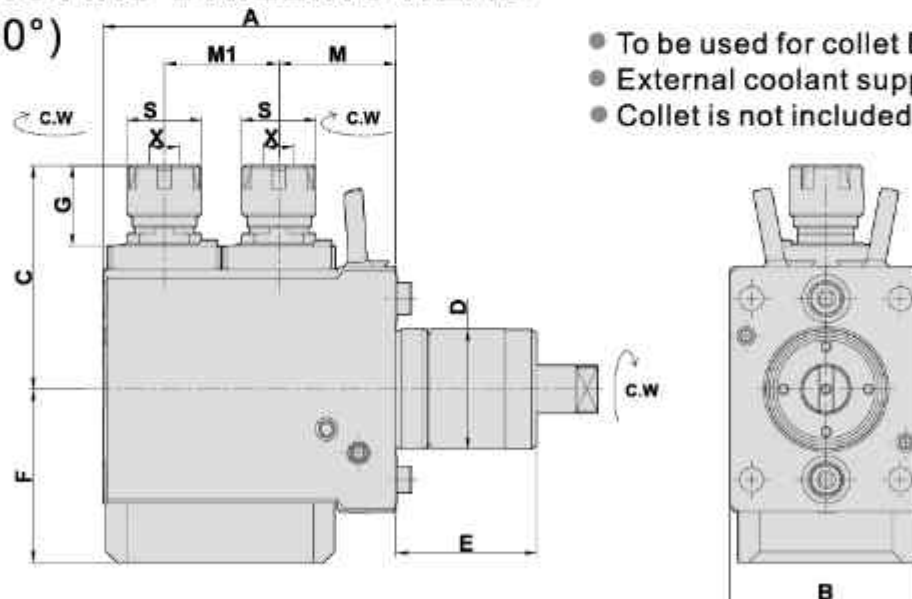


| Models | D | X Capacity | S | Maximum R.P.M. | A | B | C | E | F | G | M | M1 | Code No. | Order No. | (Kg) Weight |
|---|----|---------------|----|----------------|-----|----|----|----|------|----|-----|----|------------|--------------------|-------------|
| ABX-51TH3/64TH3 ABX-51SY2/64SY2 BND-51SY2 BND-34S5/34SY5 BNE-51S5/51SY5 | 45 | 1-10 ER16M | 22 | 5000 | 130 | 72 | 81 | 55 | 61.5 | 30 | 100 | 27 | 2451J5-000 | ABX-DF45-16M-100DY | 9.9 |
| BNE-42S6/42SY6/51S6/51SY6 BNJ-34S3/42S3/51S3 BNJ-34SY3/42SY3/51SY3 BNJ-34S2/42S2/51S2 BNJ-34SY2/42SY2/51SY2 | 45 | 1-13 ER20M | 28 | 5000 | 130 | 72 | 85 | 55 | 61.5 | 30 | 100 | 27 | 2451JX-000 | ABX-DF45-20M-100DY | 9.9 |

RADIAL MILLING AND DRILLING HEAD

徑向鑽銑刀座(90°)

- To be used for collet DIN 6499
- External coolant supply
- Collet is not included

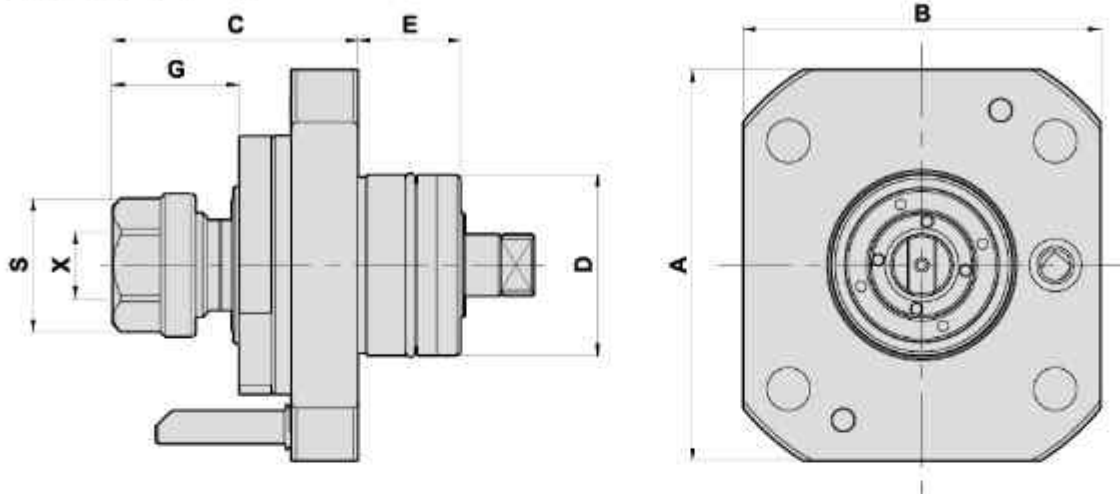


| Models | D | X Capacity | S | Maximum R.P.M. | A | B | C | E | F | G | M | M1 | Code No. | Order No. | (Kg) Weight |
|---|----|---------------|----|----------------|-----|----|----|----|----|----|----|----|------------|-------------------|-------------|
| ABX-51TH3/64TH3 ABX-51SY2/64SY2 BND-51SY2 BND-34S5/34SY5 BNE-51S5/51SY5 | 45 | 1-13 ER20M | 28 | 5000 | 110 | 72 | 84 | 53 | 65 | 30 | 44 | 43 | 2451JV-000 | ABX-DF45-20Mx2-87 | 6 |

AXIAL MILLING AND DRILLING HEAD

TYPE MIYANO BNA

軸向鑽銑刀座 (0°)

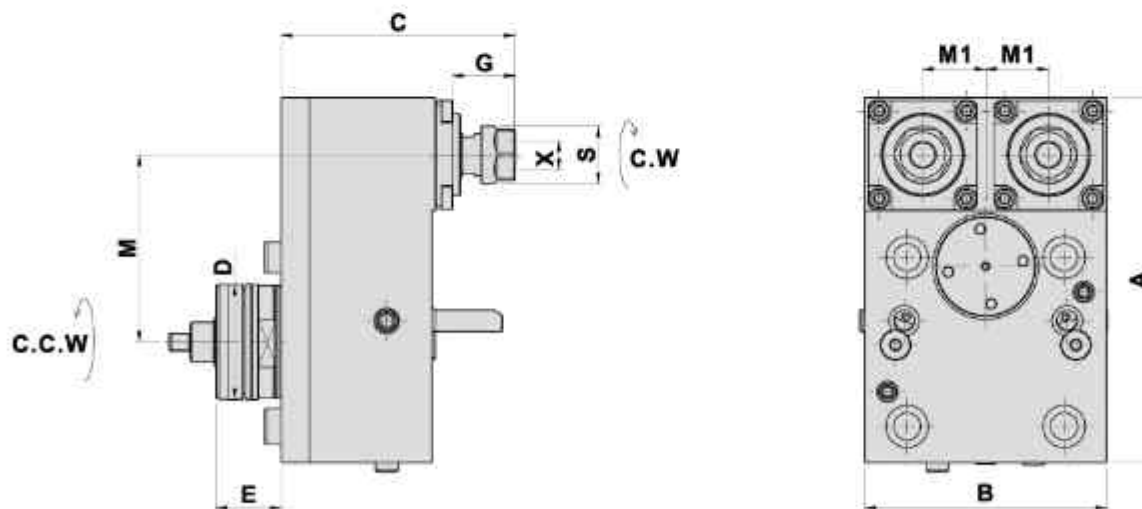


- To be used for collet DIN 6499
- External coolant supply
- Collet is not included

DIMENSIONS

| Models | D | X Capacity | S | Maximum R.P.M. | A | B | C | E | G | Code No. | Order No. | (Kg) Weight |
|---|----|---------------|----|----------------|----|----|----|------|------|------------|---------------|-------------|
| BNA-34C/42C/34S/42S BNA-34DHY/42DHY BNA-42MSY | 38 | 1-10 ER 16 | 30 | 6000 | 79 | 75 | 52 | 21.5 | 26.5 | 1381JA-000 | BNA-DA38-ER16 | 1 |
| | 38 | 1-13 ER 20 | 35 | 6000 | 79 | 75 | 57 | 21.5 | 32 | 1381JH-000 | BNA-DA38-ER20 | 1.1 |

AXIAL MILLING AND DRILLING HEAD OFFSET-軸向偏心鑽銑刀座 (0°)



- To be used for collet DIN 6499
- External coolant supply
- Collet is not included

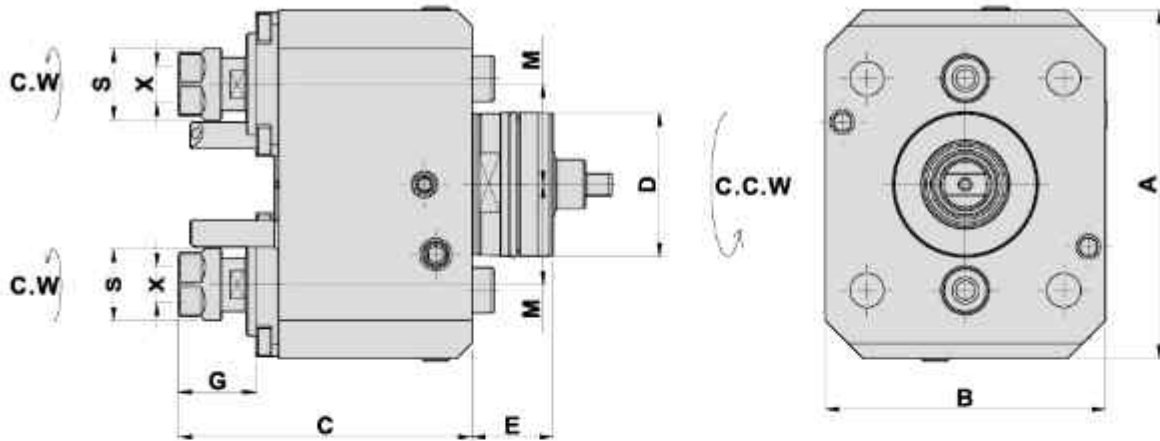
DIMENSIONS

| Models | D | X Capacity | S | Maximum R.P.M. | A | B | C | E | G | M | M1 | Code No. | Order No. | (Kg) Weight |
|------------------------------|----|-------------|----|----------------|-----|----|------|------|------|----|-------|------------|----------------|-------------|
| BNA-34DHY/42DHY BNA-42MSY | 38 | 1-7 ER11 | 19 | 6000 | 121 | 80 | 77.5 | 21.5 | 20.5 | 62 | 20.85 | 1381JD-000 | BNA-DA38-11DYZ | 3.7 |

AXIAL MILLING AND DRILLING HEAD DOUBLE HEAD,X OFFSET

TYPE MIYANO BNA

軸向鑽銑刀座-雙頭X軸偏心 (0°)



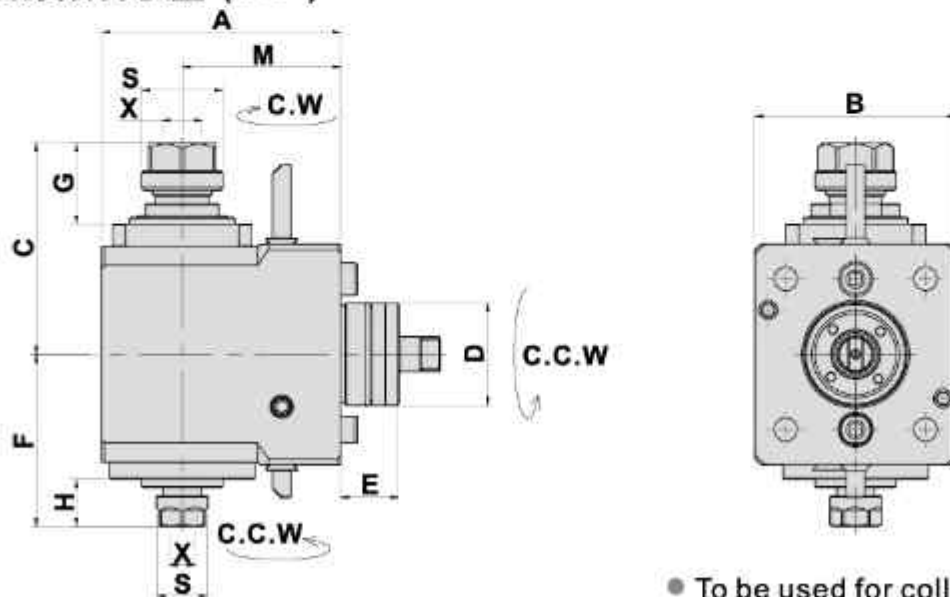
- To be used for collet DIN 6499
- External coolant supply
- Collet is not included

DIMENSIONS

| Models | D | X Capacity | S | Maximum R.P.M. | A | B | C | E | G | M | Code No. | Order No. | (Kg) Weight |
|---|----|-------------|----|----------------|----|----|------|------|------|------|------------|-------------------|-------------|
| BNA-34C/42C/34S/42S BNA-34DHY/42DHY BNA-42MSY | 38 | 1-7 ER11 | 19 | 6000 | 92 | 74 | 77.5 | 21.5 | 20.5 | 26.5 | 1381JF-000 | BNA-DA38 -11DX | 2.7 |

RADIAL MILLING AND DRILLING HEAD DOUBLE HEADS

徑向雙頭鑽銑刀座 (90°)



- To be used for collet DIN 6499
- External coolant supply
- Collet is not included

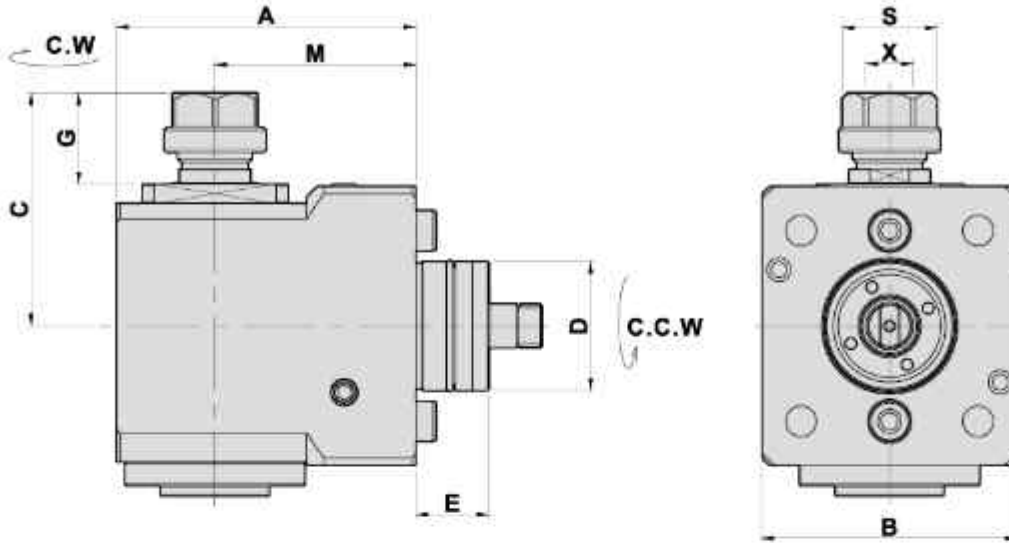
DIMENSIONS

| Models | D | X Capacity | S | Maximum R.P.M. | A | B | C | E | F | G | H | M | Code No. | Order No. | (Kg) Weight |
|---|----|----------------------|----------|----------------|----|----|------|------|----|----|------|----|------------|------------------------|-------------|
| BNA-34C/42C/34S/42S BNA-34DHY/42DHY BNA-42MSY | 38 | 1st-ER16 2nd-ER11 | 30 19 | 5000 | 89 | 75 | 78.5 | 21.5 | 64 | 30 | 17.5 | 59 | 2381JB-000 | BNA-DF38 -16-11-59D | 4.1 |

RADIAL MILLING AND DRILLING HEAD

TYPE MIYANO BNA

徑向鑽銑刀座 (90°)



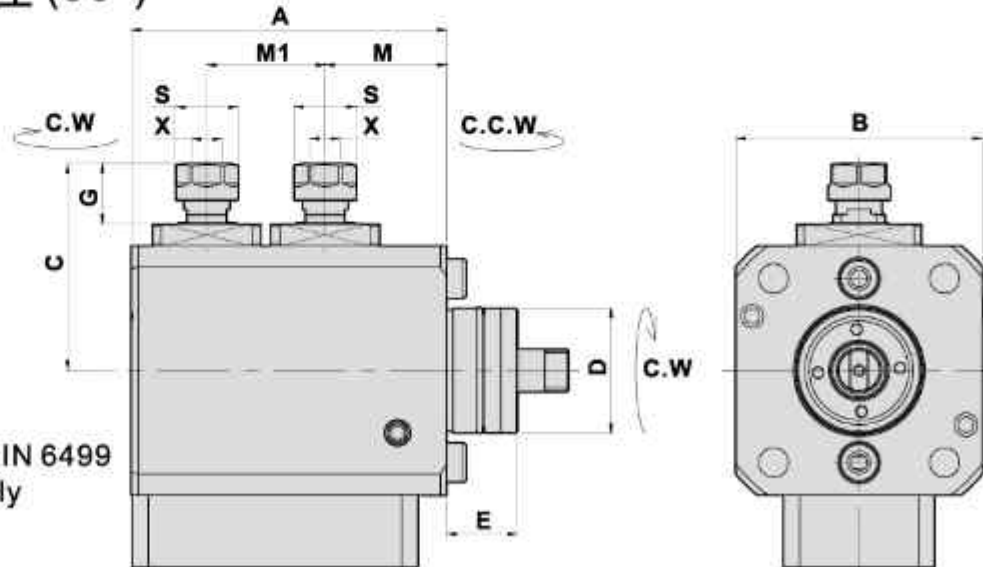
- To be used for collet DIN 6499
- External coolant supply
- Collet is not included

DIMENSIONS

| Models | D | X Capacity | S | Maximum R.P.M. | A | B | C | E | G | M | Code No. | Order No. | (Kg) Weight |
|---------------------|----|--------------|----|----------------|----|----|------|------|------|----|------------|----------------|-------------|
| BNA-34C/42C/34S/42S | 38 | 1-10 ER16 | 30 | 5000 | 88 | 75 | 69 | 21.5 | 27 | 59 | 2381JA-000 | BNA-DF38-16-59 | 3.8 |
| BNA-34DHY/42DHY | 38 | 1-13 ER20 | 35 | 5000 | 88 | 75 | 69.5 | 21.5 | 27.8 | 59 | 2381JN-000 | BNA-DF38-20-59 | 4 |
| BNA-42MSY | 38 | 1-16 ER25 | 42 | 5000 | 90 | 75 | 87 | 21.5 | 30.5 | 59 | 2381JQ-000 | BNA-DF38-25-59 | 4.6 |

RADIAL MILLING AND DRILLING HEAD DOUBLE HEADS

徑向雙頭鑽銑刀座 (90°)



- To be used for collet DIN 6499
- External coolant supply
- Collet is not included

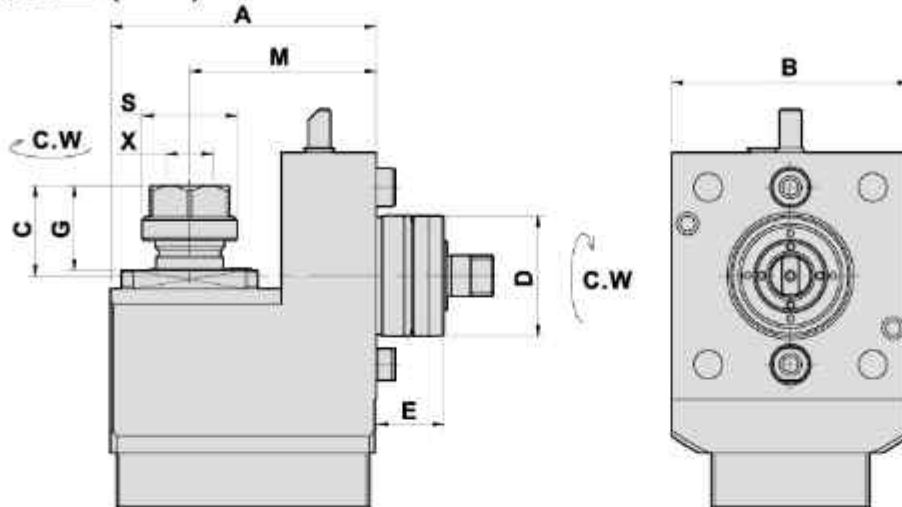
DIMENSIONS

| Models | D | X Capacity | S | Maximum R.P.M. | A | B | C | E | G | M | M1 | Code No. | Order No. | (Kg) Weight |
|---|----|-------------|----|----------------|----|----|----|------|----|----|----|------------|------------------|-------------|
| BNA-34C/42C/34S/42S BNA-34DHY/42DHY BNA-42MSY | 38 | 1-7 ER11 | 19 | 5000 | 96 | 75 | 63 | 21.5 | 19 | 37 | 36 | 2381JC-000 | BNA-DF38-11x2-73 | 4.5 |

RADIAL MILLING AND DRILLING HEAD OFFSET

TYPE MIYANO BNA

徑向鑽銑刀座 (90°)



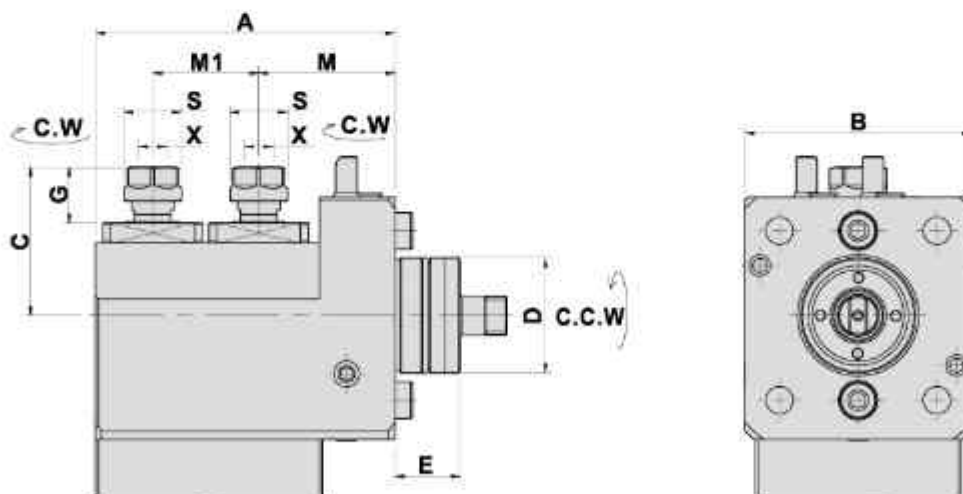
- To be used for collet DIN 6499
- External coolant supply
- Collet is not included

DIMENSIONS

| Models | D | X Capacity | S | Maximum R.P.M. | A | B | C | E | G | M | Code No. | Order No. | (Kg) Weight |
|---|----|--------------|----|----------------|----|----|----|------|----|----|------------|--------------------|-------------|
| BNA-34C/42C/34S/42S BNA-34DHY/42DHY BNA-42MSY | 38 | 1-10 ER16 | 30 | 5000 | 84 | 75 | 29 | 21.5 | 27 | 59 | 2381JD-000 | BNA-DB38 -16-59 | 3.8 |

RADIAL MILLING AND DRILLING HEAD DOUBLE HEADS, OFFSET

徑向雙頭鑽銑刀座 (90°)



- To be used for collet DIN 6499
- External coolant supply
- Collet is not included

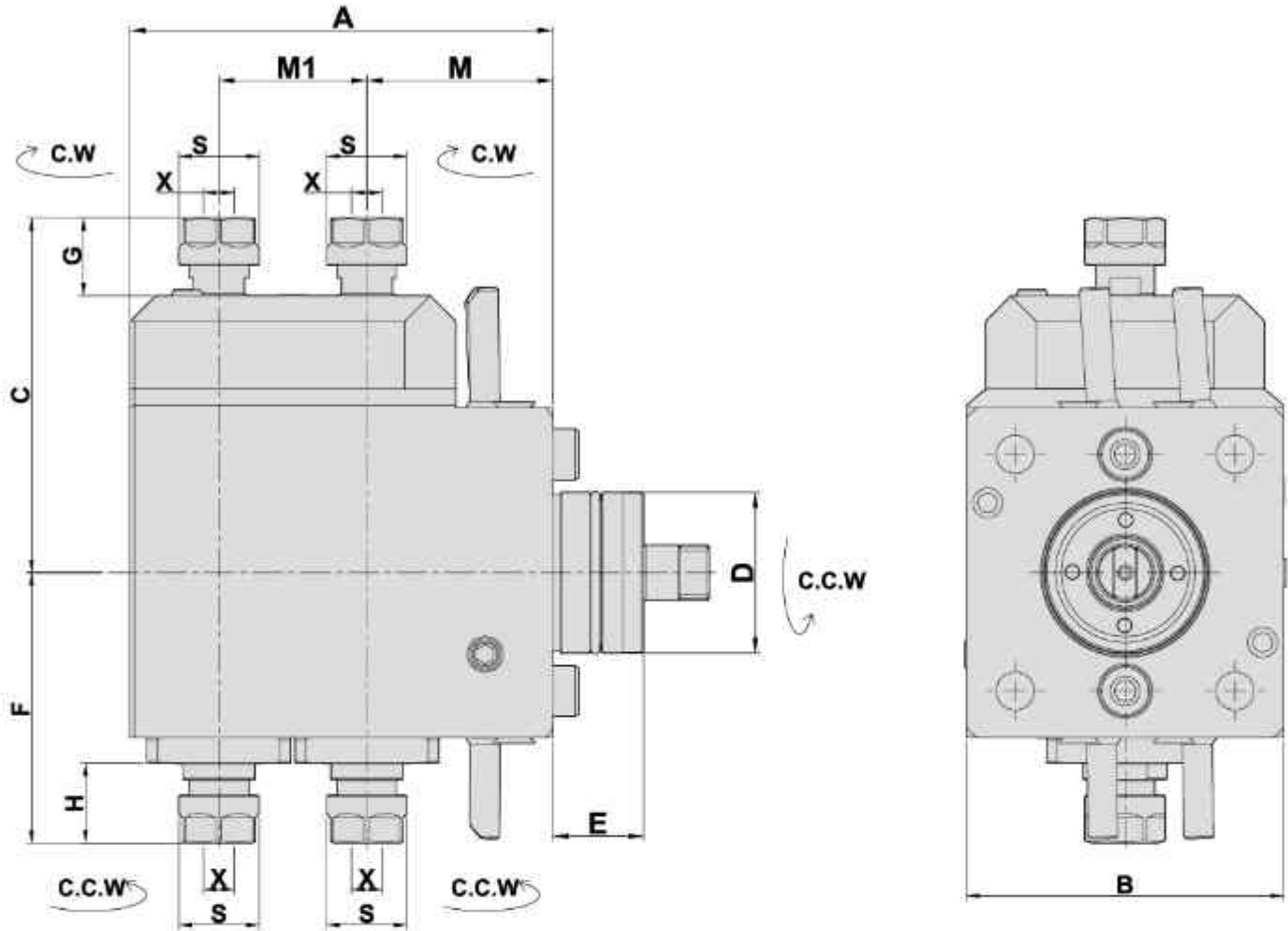
DIMENSIONS

| Models | D | X Capacity | S | Maximum R.P.M. | A | B | C | E | G | M | M1 | Code No. | Order No. | (Kg) Weight |
|---|----|-------------|----|----------------|----|----|----|------|------|----|----|------------|----------------------|-------------|
| BNA-34C/42C/34S/42S BNA-34DHY/42DHY BNA-42MSY | 38 | 1-7 ER11 | 19 | 5000 | 99 | 75 | 49 | 21.5 | 18.5 | 45 | 35 | 2381JF-000 | BNA-DB38 -11x2-80 | 4.3 |

RADIAL MILLING AND DRILLING HEAD DOUBLE HEADS

TYPE MIYANO ABX

徑向雙頭鑽銑刀座(90°)



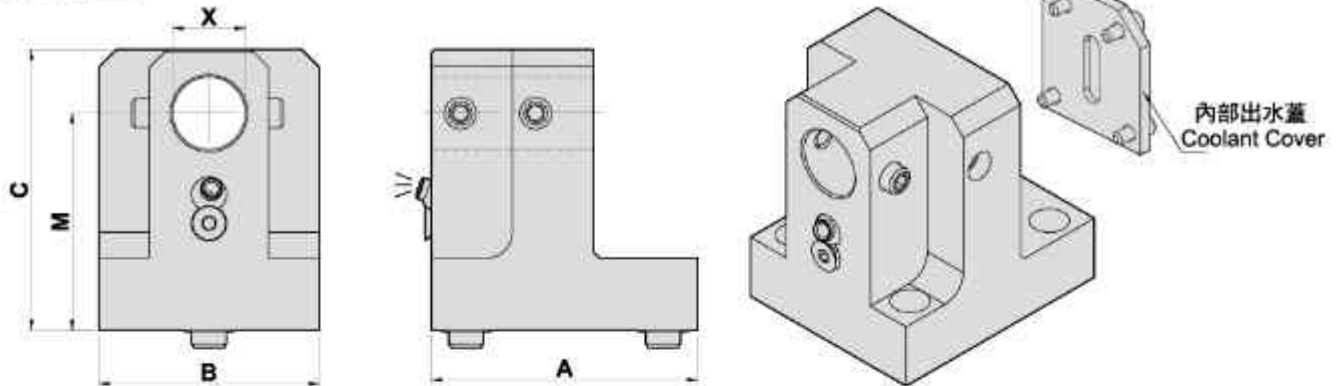
- To be used for collet DIN 6499
- External coolant supply
- Collet is not included

| Models | D | X Capacity | S | Maximum R.P.M. | A | B | C | E | F | G | H | M | M1 | Code No. | Order No. | (Kg) Weight |
|---|----|-------------|----|----------------|-----|----|----|------|----|------|----|----|----|------------|----------------------|-------------|
| BNA-34C/42C/34S/42S BNA-34DHY/42DHY BNA-42MSY | 38 | 1-7 ER11 | 19 | 5000 | 100 | 75 | 84 | 21.5 | 64 | 18.5 | 19 | 44 | 35 | 2381JP-000 | BNA-DF38 -11x4-79 | 5.2 |

BORING BAR HOLDER

TYPE MIYANO ABX

內孔刀座



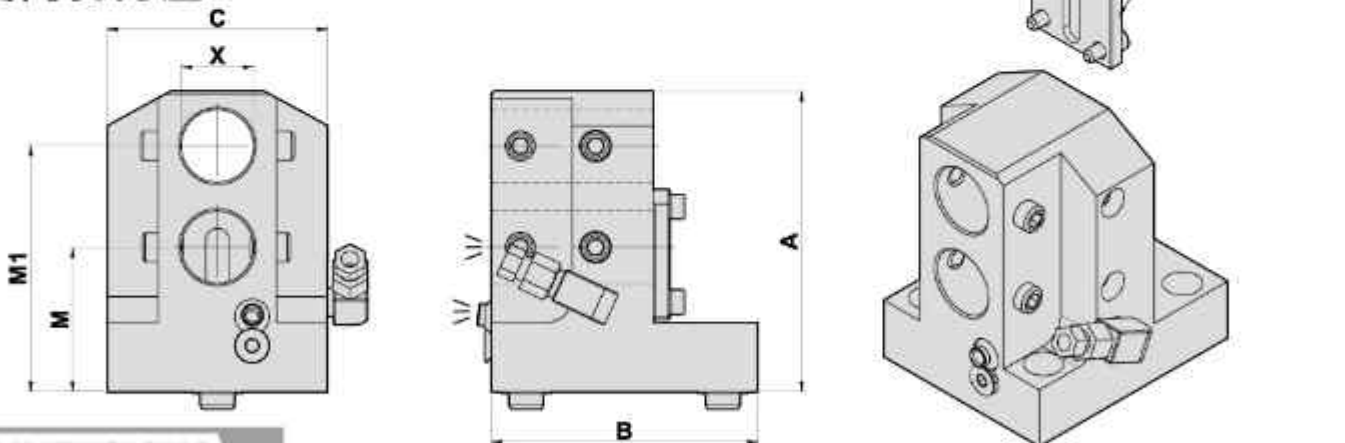
DIMENSIONS

● Internal, External coolant supply 內外部出水

| Models | X | A | B | C | M | Code No. | Order No. | (Kg) Weight |
|---|------|----|----|-----|----|------------|--------------|-------------|
| ABX-51TH3/64TH3 ABX-51SY2/64SY2 BND-51S2 BND-51C2 BND-51SY2 BND-34S5/34SY5 BNE-51S5/51SY5 BNE-34S3/51S | 25 | 92 | 72 | 97 | 75 | 306031-000 | ABX-B25-75 | 2.8 |
| BND-34S5/34SY5 BNE-51S5/51SY5 BNE-34S3/51S | 25 | 92 | 72 | 104 | 85 | 306035-000 | ABX-B25-85 | 2.9 |
| BNJ-34S3/42S3/51S3 BNJ-34SY3/42SY3/51SY3 BNJ-34S2/42S2/51S2 BNJ-34SY2/42SY2/51SY2 BNJ-34S/42S/34SY/42SY LZ-01R2/01RY2 LZ-02R2/02RY2 | 25.4 | 92 | 72 | 97 | 75 | 3F1033-000 | ABX-B25.4-75 | 2.8 |
| | 25.4 | 92 | 72 | 104 | 85 | 3F1034-000 | ABX-B25.4-85 | 2.9 |

DOUBLE BORING BAR HOLDER

雙內孔刀座



DIMENSIONS

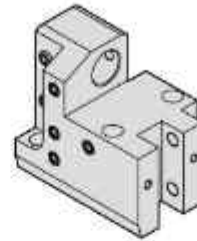
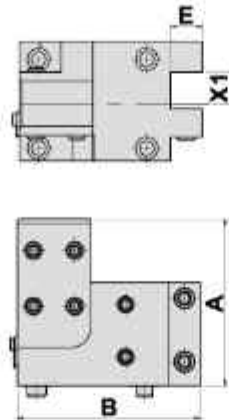
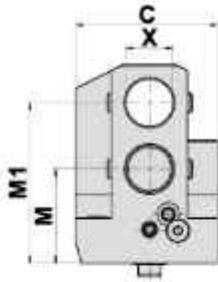
● Internal, External coolant supply 內外部出水

| Models | X | A | B | C | M | M1 | Code No. | Order No. | (Kg) Weight |
|---|------|-----|----|----|----|----|------------|----------------|-------------|
| ABX-51TH3/64TH3 ABX-51SY2/64SY2 BND-51S2 BND-51C2 BND-51SY2 BND-34S5/34SY5 BNE-51S5/51SY5 BNE-34S3/51S | 25 | 104 | 92 | 72 | 50 | 85 | 306032-000 | ABX-B25x2-85 | 2.8 |
| BNJ-34S3/42S3/51S3 BNJ-34SY3/42SY3/51SY3 BNJ-34S2/42S2/51S2 BNJ-34SY2/42SY2/51SY2 BNJ-34S/42S/34SY/42SY LZ-01R2/01RY2 LZ-02R2/02RY2 | 25.4 | 104 | 92 | 72 | 50 | 85 | 3F1032-000 | ABX-B25.4x2-85 | 2.8 |

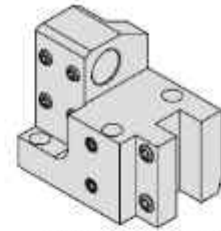
DOUBLE BORING BAR AND SINGLE TURNING HOLDER

TYPE MIYANO ABX

雙內孔-單外徑刀座



ABX-B25x2-85-C20-L



ABX-B25x2-85-C20

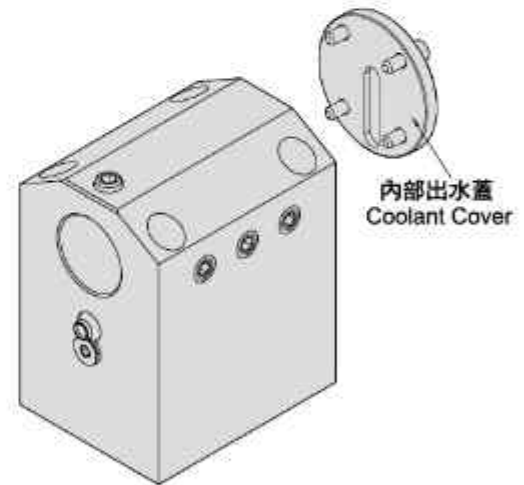
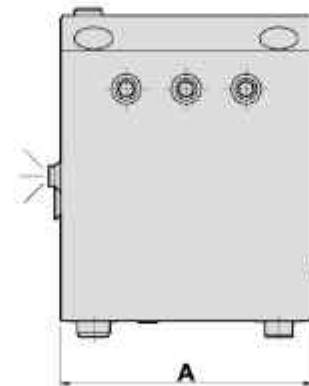
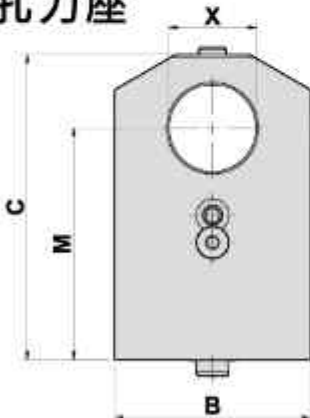
DIMENSIONS

● External coolant supply 外部出水

| Models | X | X1 | A | B | C | E | M | M1 | Code No. | Order No. | (Kg) Weight |
|--|----|----|-----|-----|----|----|----|----|------------|--------------------|-------------|
| ABX-51TH3/64TH3 ABX-51SY2/64SY2 BND-51S2 BND-51C2 BND-51SY2 BND-34S5/34SY5 BNE-51S5/51SY5 BNE-34S3/51S BNJ-34S3/42S3/51S3 BNJ-34SY3/42SY3/51SY3 BNJ-34S2/42S2/51S2 BNJ-34SY2/42SY2/51SY2 BNJ-34S/42S/34SY/42SY LZ-01R2/01RY2 LZ-02R2/02RY2 | 25 | 20 | 105 | 115 | 75 | 20 | 50 | 85 | 306039-000 | ABX-B25x2-85-C20 | 3.7 |
| | 25 | 20 | 105 | 115 | 75 | 20 | 50 | 85 | 306040-000 | ABX-B25x2-85-C20-L | 3.7 |

BORING BAR HOLDER

內孔刀座



內部出水蓋
Coolant Cover

DIMENSIONS

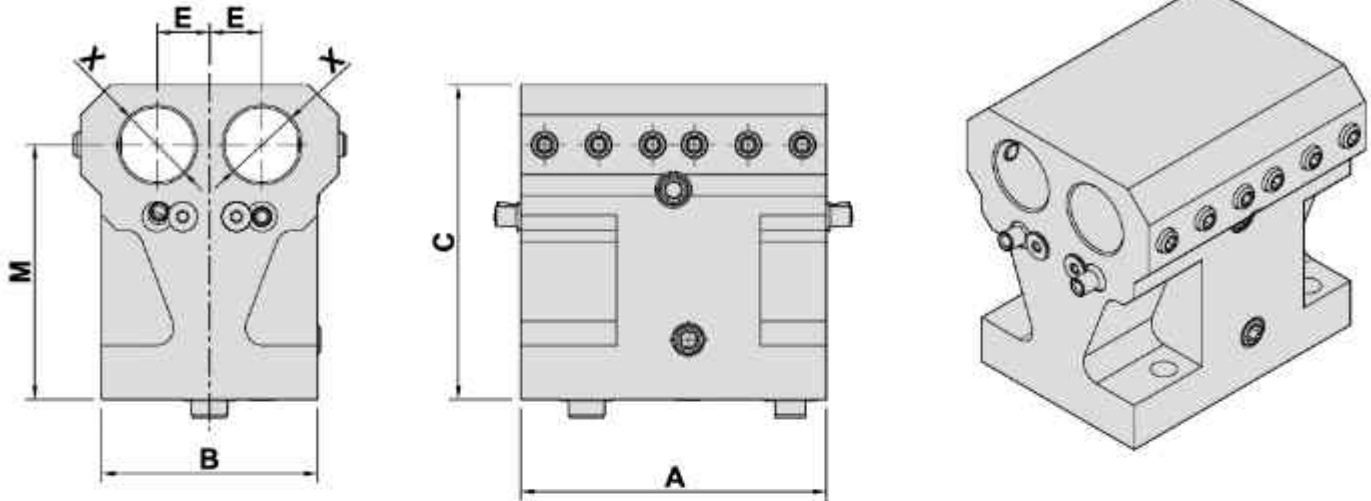
● Internal, External coolant supply 內外部出水

| Models | X | A | B | C | M | Code No. | Order No. | (Kg) Weight |
|--|----|----|----|-----|-----|------------|-------------|-------------|
| ABX-51TH3/64TH3 ABX-51SY2/64SY2 BND-51S2 BND-51C2 BND-51SY2 BND-34S5/34SY5 BNE-51S5/51SY5 BNE-34S3/51S BNJ-34S3/42S3/51S3 BNJ-34SY3/42SY3/51SY3 BNJ-34S2/42S2/51S2 BNJ-34SY2/42SY2/51SY2 BNJ-34S/42S/34SY/42SY LZ-01R2/01RY2 LZ-02R2/02RY2 | 32 | 92 | 72 | 112 | 85 | 307031-000 | ABX-B32-85 | 4.7 |
| | 32 | 92 | 72 | 137 | 110 | 307032-000 | ABX-B32-110 | 3.6 |

DOUBLE BORING BAR HOLDER

TYPE MIYANO ABX

雙內孔刀座



DIMENSIONS

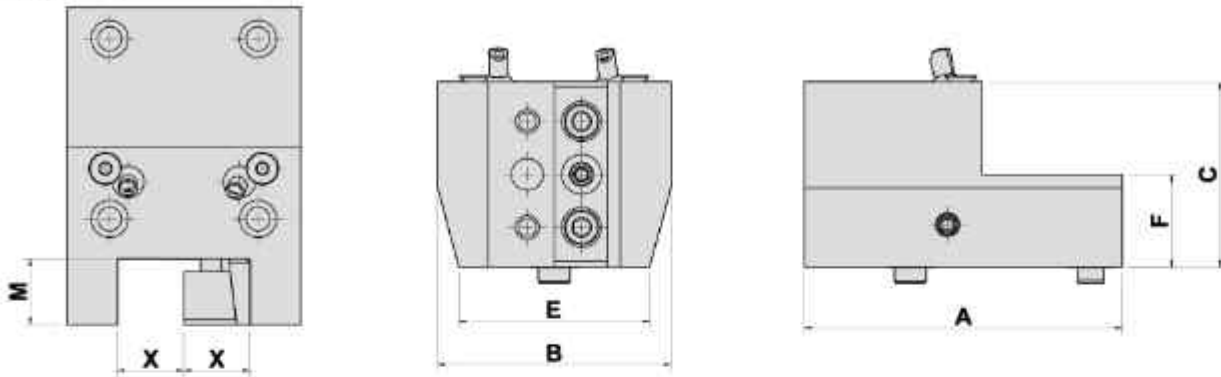
● External coolant supply 外部出水

| Models | X | A | B | C | E | M | Code No. | Order No. | (Kg) Weight |
|--|----|-----|----|-----|------|----|------------|---------------|-------------|
| ABX-51TH3/64TH3 ABX-51SY2/64SY2 BND-51S2 BND-51C2 BND-51SY2 BND-34S5/34SY5 BNE-51S5/51SY5 BNE-34S3/51S BNJ-34S3/42S3/51S3 BNJ-34SY3/42SY3/51SY3 BNJ-34S2/42S2/51S2 BNJ-34SY2/42SY2/51SY2 BNJ-34S/42S/34SY/42SY LZ-01R2/01RY2 LZ-02R2/02RY2 | 25 | 102 | 72 | 105 | 17.5 | 85 | 30603M-000 | ABX-B25x2-85Y | 4.8 |

TURNING HOLDER

TYPE MIYANO ABX

外徑刀座



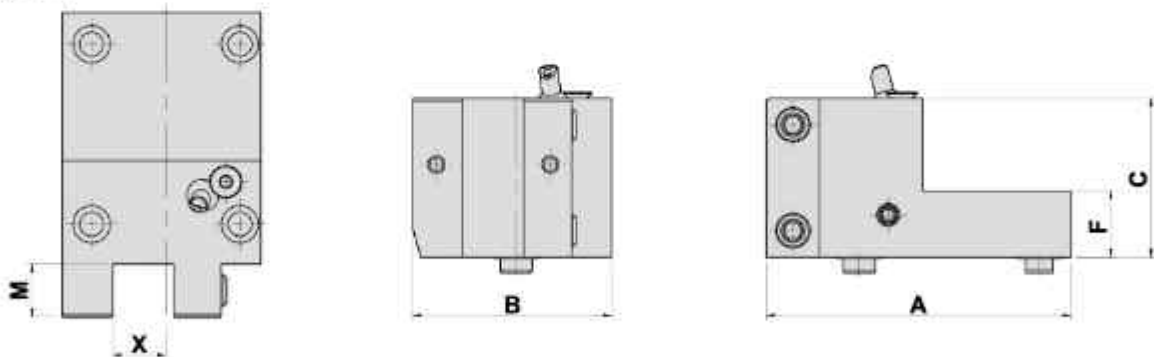
DIMENSIONS

● External coolant supply 外部出水

| Models | X | A | B | C | E | F | M | Code No. | Order No. | (Kg) Weight |
|--|----|-----|----|----|----|----|----|------------|------------|-------------|
| ABX-51TH3/64TH3 ABX-51SY2/64SY2 BND-51S2 BND-51C2 BND-51SY2 BND-34S5/34SY5 BNE-51S5/51SY5 BNE-34S3/51S BNJ-34S3/42S3/51S3 BNJ-34SY3/42SY3/51SY3 BNJ-34S2/42S2/51S2 BNJ-34SY2/42SY2/51SY2 BNJ-34S/42S/34SY/42SY LZ-01R2/01RY2 LZ-02R2/02RY2 | 20 | 115 | 76 | 60 | 72 | 25 | 20 | 405031-000 | ABX-C20-60 | 2.5 |
| | 25 | 120 | 88 | 70 | 72 | 35 | 25 | 406033-000 | ABX-C25-70 | 3.7 |

TURNING HOLDER

外徑刀座



DIMENSIONS

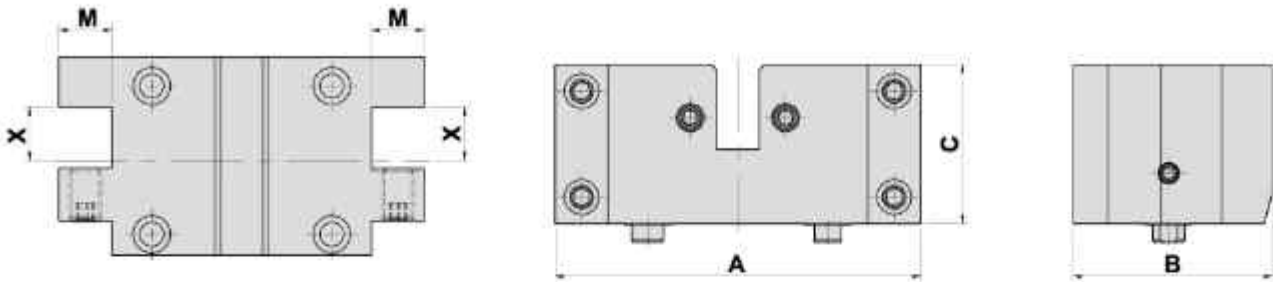
● External coolant supply 外部出水

| Models | X | A | B | C | F | M | Code No. | Order No. | (Kg) Weight |
|--|----|-----|----|----|----|----|------------|--------------|-------------|
| ABX-51TH3/64TH3 ABX-51SY2/64SY2 BND-51S2 BND-51C2 BND-51SY2 BND-34S5/34SY5 BNE-51S5/51SY5 BNE-34S3/51S BNJ-34S3/42S3/51S3 BNJ-34SY3/42SY3/51SY3 BNJ-34S2/42S2/51S2 BNJ-34SY2/42SY2/51SY2 BNJ-34S/42S/34SY/42SY LZ-01R2/01RY2 LZ-02R2/02RY2 | 20 | 115 | 76 | 60 | 25 | 20 | 405037-000 | 1X780300-C20 | 2.5 |

DOUBLE SIDE TURNING HOLDER

TYPE MIYANO ABX

雙側外徑刀座



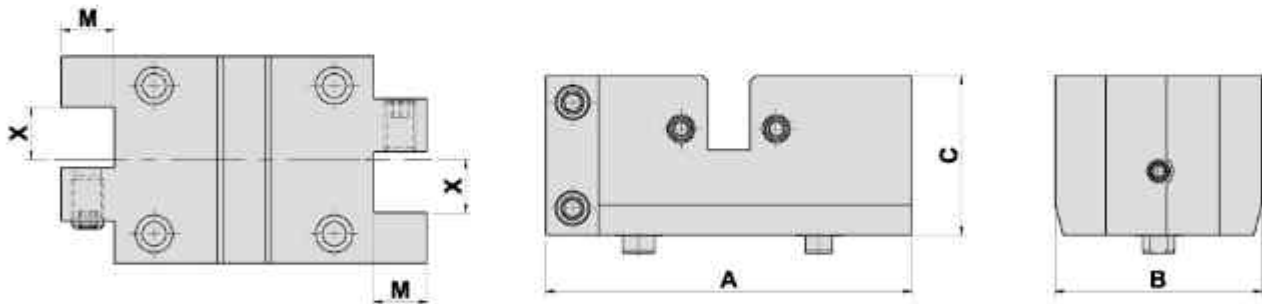
DIMENSIONS

● External coolant supply 外部出水

| Models | X | A | B | C | M | Code No. | Order No. | (Kg) Weight |
|--|----|-----|----|----|----|------------|--------------|-------------|
| ABX-51TH3/64TH3 ABX-51SY2/64SY2 BND-51S2 BND-51C2 BND-51SY2 BND-34S5/34SY5 BNE-51S5/51SY5 BNE-34S3/51S BNJ-34S3/42S3/51S3 BNJ-34SY3/42SY3/51SY3 BNJ-34S2/42S2/51S2 BNJ-34SY2/42SY2/51SY2 BNJ-34S/42S/34SY/42SY LZ-01R2/01RY2 LZ-02R2/02RY2 | 20 | 138 | 75 | 60 | 20 | 405034-000 | ABX-C20x2-60 | 3.7 |

DOUBLE SIDE TURNING HOLDER

雙側外徑刀座



DIMENSIONS

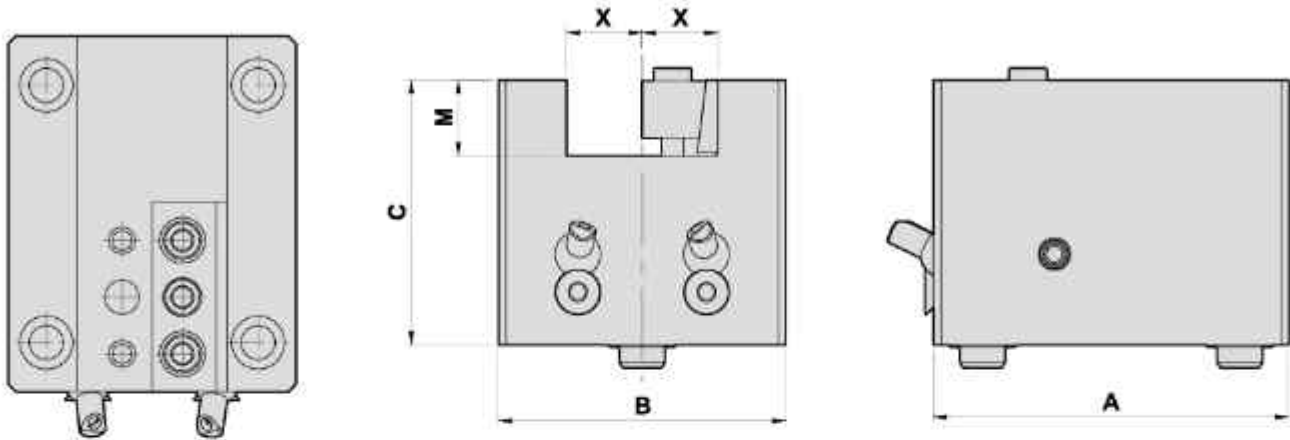
● External coolant supply 外部出水

| Models | X | A | B | C | M | Code No. | Order No. | (Kg) Weight |
|--|----|-----|----|----|----|------------|----------------|-------------|
| ABX-51TH3/64TH3 ABX-51SY2/64SY2 BND-51S2 BND-51C2 BND-51SY2 BND-34S5/34SY5 BNE-51S5/51SY5 BNE-34S3/51S BNJ-34S3/42S3/51S3 BNJ-34SY3/42SY3/51SY3 BNJ-34S2/42S2/51S2 BNJ-34SY2/42SY2/51SY2 BNJ-34S/42S/34SY/42SY LZ-01R2/01RY2 LZ-02R2/02RY2 | 20 | 138 | 78 | 60 | 20 | 405036-000 | 1X784600-C20x2 | 3.8 |

FACING HOLDER

TYPE MIYANO ABX

端面刀座



DIMENSIONS

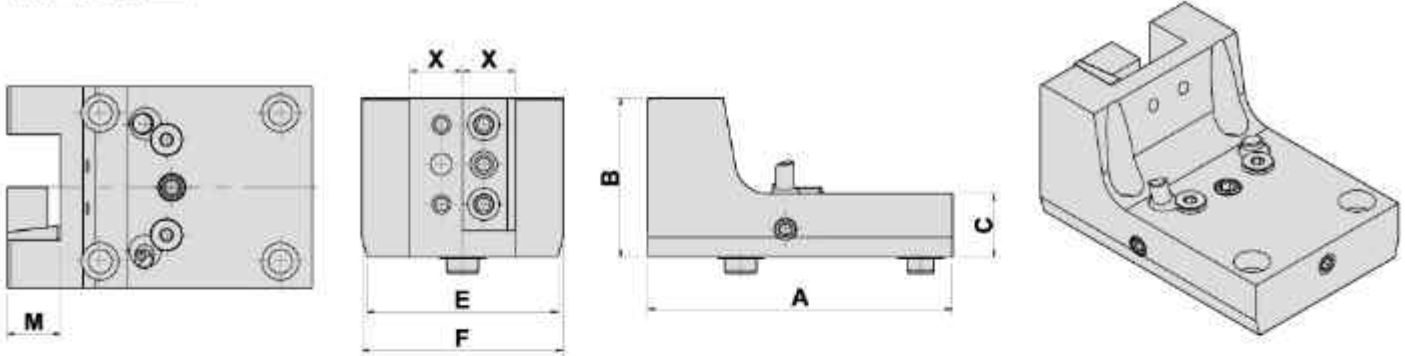
● External coolant supply 外部出水

| Models | X | A | B | C | M | Code No. | Order No. | (Kg) Weight |
|--|----|----|----|----|----|------------|------------|----------------|
| ABX-51TH3/64TH3 ABX-51SY2/64SY2 BND-51S2 BND-51C2 BND-51SY2 BND-34S5/34SY5 BNE-51S5/51SY5 BNE-34S3/51S BNJ-34S3/42S3/51S3 BNJ-34SY3/42SY3/51SY3 BNJ-34S2/42S2/51S2 BNJ-34SY2/42SY2/51SY2 BNJ-34S/42S/34SY/42SY LZ-01R2/01RY2 LZ-02R2/02RY2 | 20 | 94 | 76 | 70 | 20 | 505031-000 | ABX-F20-70 | 3.2 |

CUTTING HOLDER

TYPE MIYANO ABX

切斷刀座



DIMENSIONS

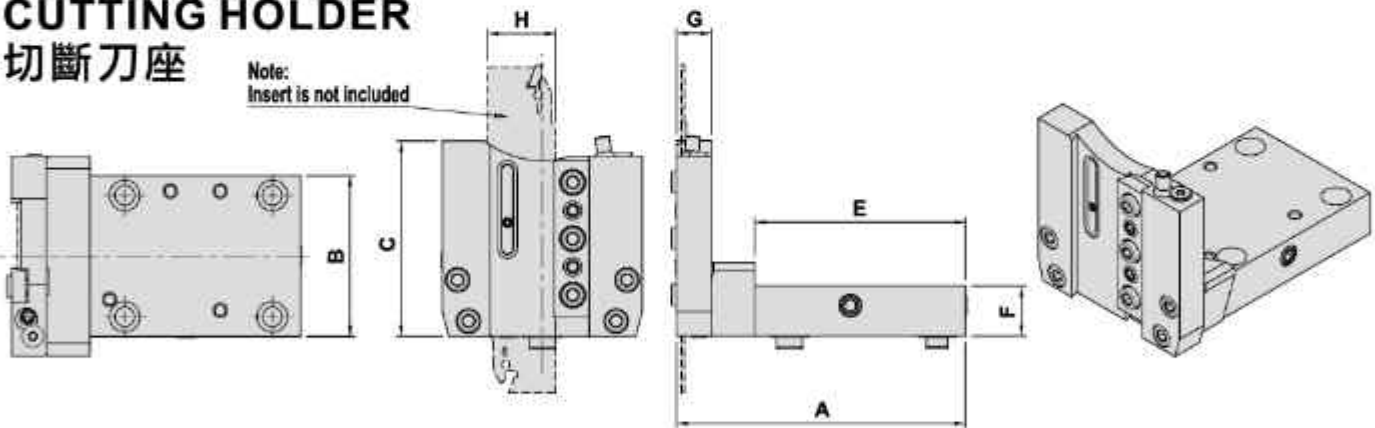
● External coolant supply 外部出水

| Models | X | A | B | C | E | F | Code No. | Order No. | (Kg) Weight |
|--|----|-----|----|----|----|----|------------|------------|-------------|
| ABX-51TH3/64TH3 ABX-51SY2/64SY2 BND-51S2 BND-51C2 BND-51SY2 BND-34S5/34SY5 BNE-51S5/51SY5 BNE-34S3/51S BNJ-34S3/42S3/51S3 BNJ-34SY3/42SY3/51SY3 BNJ-34S2/42S2/51S2 BNJ-34SY2/42SY2/51SY2 BNJ-34S/42S/34SY/42SY LZ-01R2/01RY2 LZ-02R2/02RY2 | 20 | 115 | 60 | 24 | 72 | 76 | 705033-000 | ABX-R20-60 | 2 |

CUTTING HOLDER

切斷刀座

Note:
Insert is not included



DIMENSIONS

● External coolant supply 外部出水

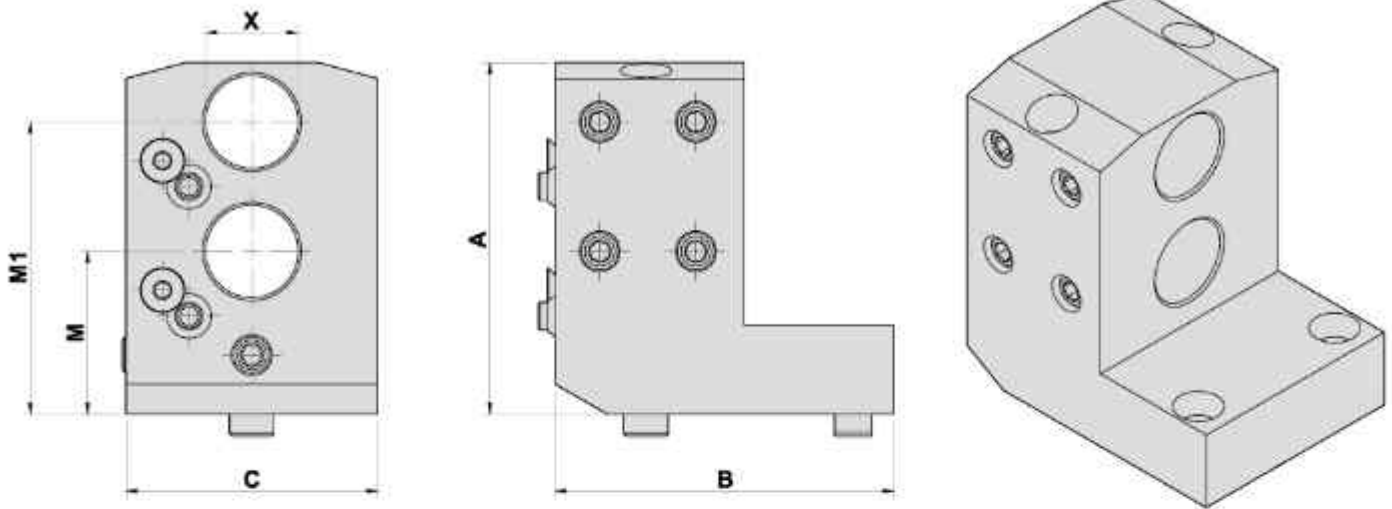
● Internal coolant supply 内部出水

| Models | A | B | C | E | F | G | H | Code No. | Order No. | (Kg) Weight |
|--|-----|----|----|----|----|----|----|------------|--------------|-------------|
| ABX-51TH3/64TH3 ABX-51SY2/64SY2 BND-51S2 BND-51C2 BND-51SY2 BND-34S5/34SY5 BNE-51S5/51SY5 BNE-34S3/51S BNJ-34S3/42S3/51S3 BNJ-34SY3/42SY3/51SY3 BNJ-34S2/42S2/51S2 BNJ-34SY2/42SY2/51SY2 BNJ-34S/42S/34SY/42SY LZ-01R2/01RY2 LZ-02R2/02RY2 | 133 | 74 | 90 | 97 | 23 | 16 | 32 | 706031-000 | ABX-R25-90-H | 2.4 |

DOUBLE BORING BAR HOLDER

TYPE MIYANO BNA

雙內孔刀座



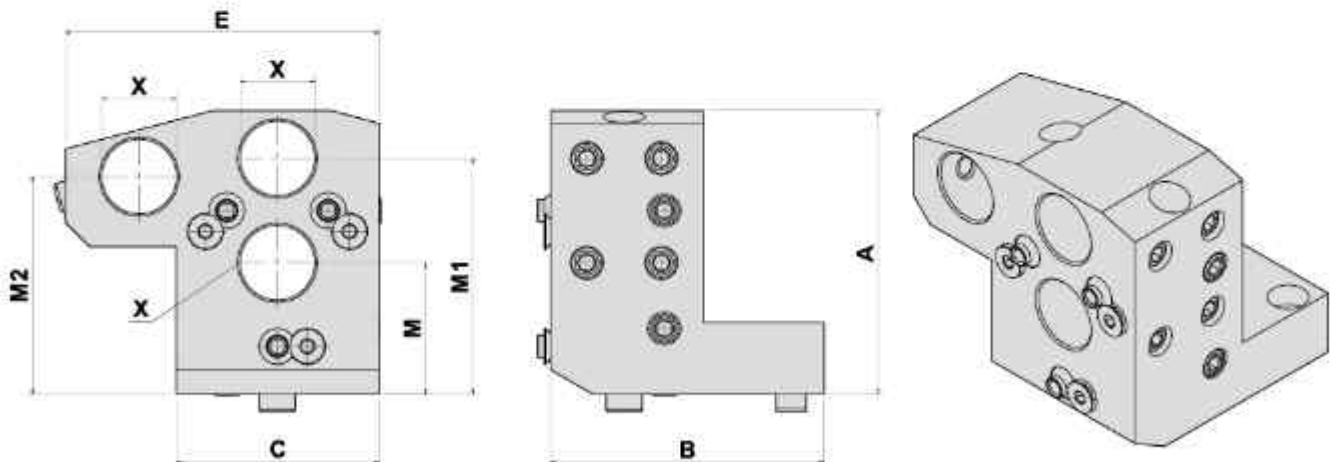
DIMENSIONS

● External coolant supply 外部出水

| Models | X | A | B | C | M | M1 | Code No. | Order No. | (Kg) Weight |
|---|----|----|------|----|----|----|------------|--------------|-------------|
| BNA-34C/42C/34S/42S BNA-34DHY/42DHY BNA-42MSY | 25 | 95 | 91.5 | 68 | 44 | 79 | 30603A-000 | BNA-B25x2-79 | 2.6 |

THREE POSITION BORING BAR HOLDER

三內孔刀座



DIMENSIONS

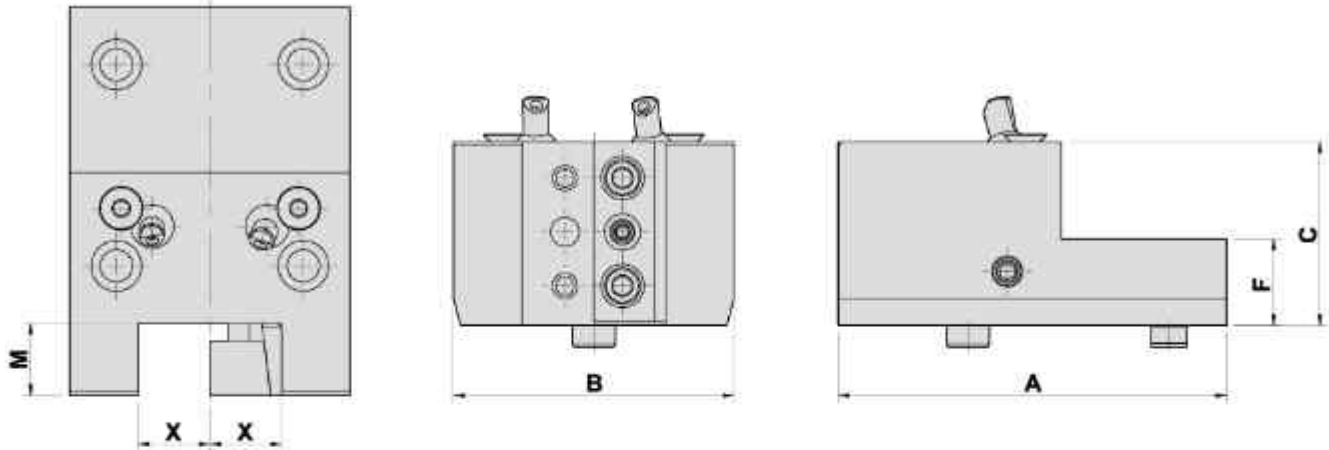
● External coolant supply 外部出水

| Models | X | A | B | C | E | M | M1 | M2 | Code No. | Order No. | (Kg) Weight |
|---|----|----|------|----|-----|----|----|------|------------|--------------|-------------|
| BNA-34C/42C/34S/42S BNA-34DHY/42DHY BNA-42MSY | 25 | 95 | 91.5 | 68 | 105 | 44 | 79 | 72.9 | 30603B-000 | BNA-B25x3-79 | 2.8 |

TURNING HOLDER

TYPE MIYANO BNA

外徑刀座



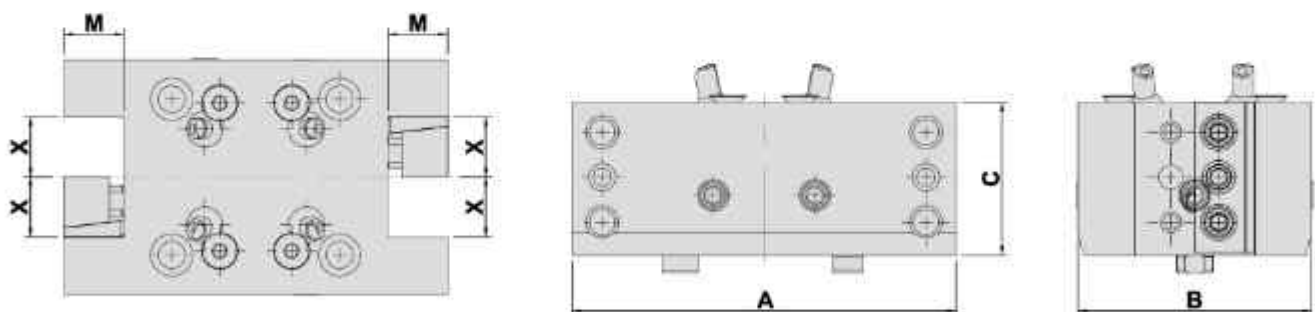
DIMENSIONS

● External coolant supply 外部出水

| Models | X | A | B | C | F | M | Code No. | Order No. | (Kg) Weight |
|---|----|-----|----|----|----|----|------------|------------|-------------|
| BNA-34C/42C/34S/42S BNA-34DHY/42DHY BNA-42MSY | 20 | 108 | 78 | 51 | 24 | 20 | 40503A-000 | BNA-C20-50 | 2.2 |

DOUBLE SIDE TURNING HOLDER

雙側外徑刀座



DIMENSIONS

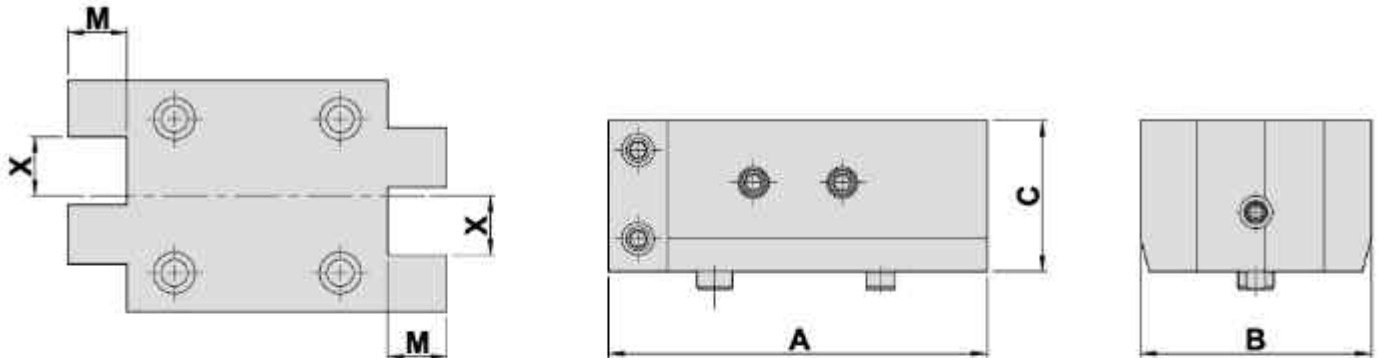
● External coolant supply 外部出水

| Models | X | A | B | C | M | Code No. | Order No. | (Kg) Weight |
|---|-------|-----|----|----|-------|------------|-----------------|-------------|
| BNA-34C/42C/34S/42S BNA-34DHY/42DHY BNA-42MSY | 20 | 128 | 78 | 51 | 20 | 40503B-000 | BNA-C20x2-50 | 3.1 |
| | 19.05 | 128 | 78 | 51 | 19.05 | 4E1031-000 | BNA-C19.05x2-50 | 3.1 |

DOUBLE SIDE TURNING HOLDER

TYPE MIYANO ABX

雙側外徑刀座



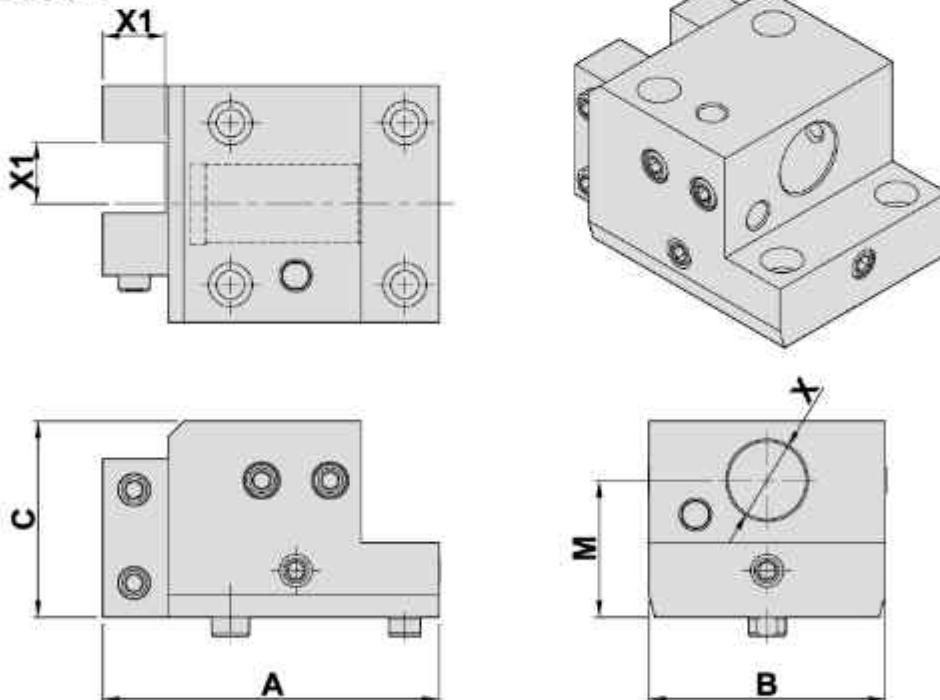
DIMENSIONS

● External coolant supply 外部出水

| Models | X | A | B | C | M | Code No. | Order No. | (Kg) Weight |
|---|----|-----|----|----|----|------------|-------------------|-------------|
| BNA-34C/42C/34S/42S BNA-34DHY/42DHY BNA-42MSY | 20 | 128 | 78 | 51 | 20 | 40503F-000 | CG73L000-C20x2-50 | 3.2 |

BORING BAR AND SINGLE TURNING HOLDER

內孔 - 單外徑刀座



DIMENSIONS

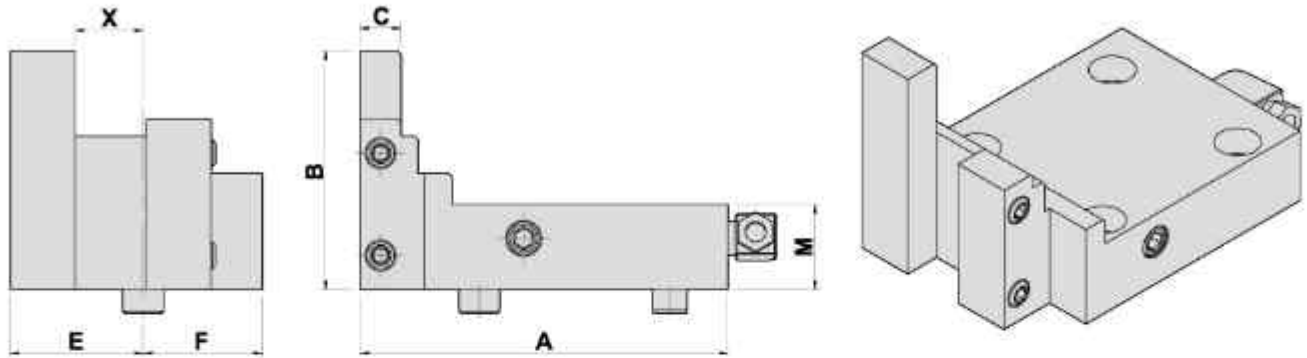
● External coolant supply 外部出水

| Models | X | X1 | A | B | C | M | Code No. | Order No. | (Kg) Weight |
|---|----|----|-----|----|----|----|------------|--------------|-------------|
| BNA-34C/42C/34S/42S BNA-34DHY/42DHY BNA-42MSY | 25 | 20 | 108 | 76 | 63 | 44 | 40503G-000 | BNA-CG73J000 | 2.8 |

CUTTING HOLDER

TYPE MIYANO BNA-BNB

切斷刀座



DIMENSIONS

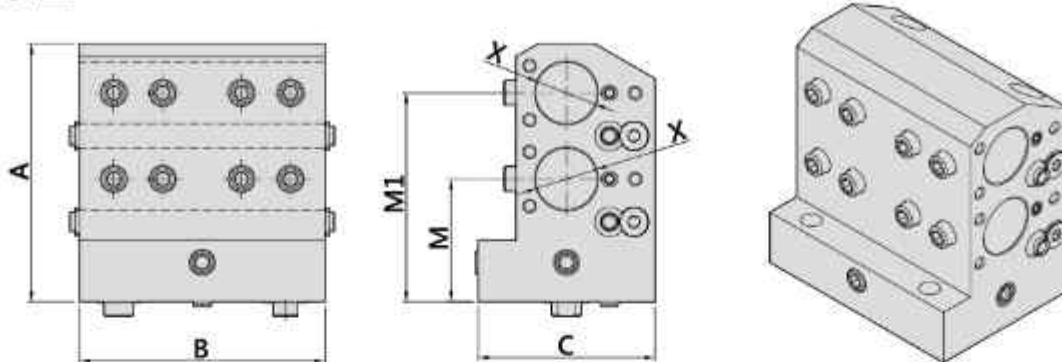
● External coolant supply 外部出水

| Models | X | A | B | C | E | F | Code No. | Order No. | (Kg) Weight |
|---|----|-----|----|----|----|----|------------|------------|-------------|
| BNA-34C/42C/34S/42S BNA-34DHY/42DHY BNA-42MSY | 20 | 108 | 70 | 12 | 39 | 35 | 705034-000 | BNA-R20-70 | 1.6 |

DOUBLE BORING BAR HOLDER

TYPE MIYANO BNE

雙內孔刀座

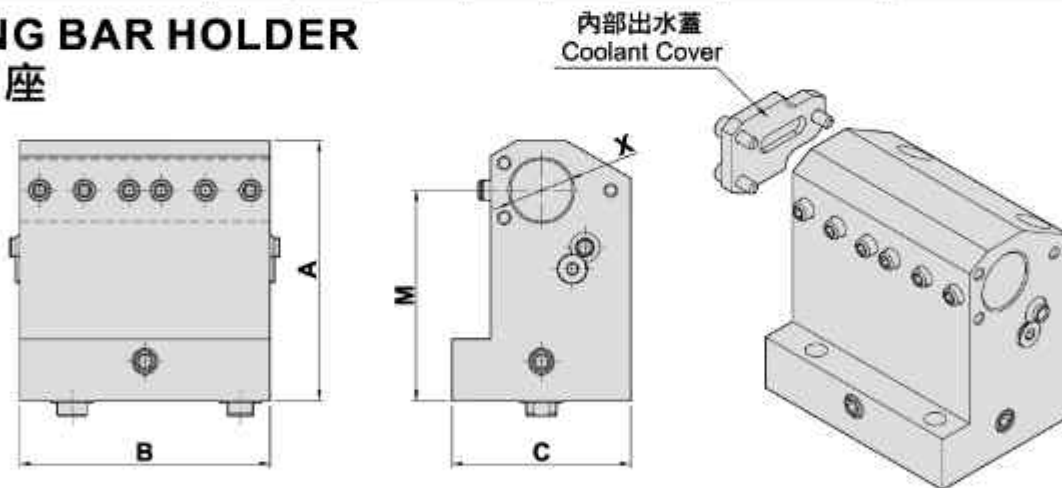


DIMENSIONS

- External coolant supply 外部出水
- Internal coolant supply 內部出水

| Models | X | A | B | C | M | M1 | Code No. | Order No. | (Kg) Weight |
|--|------|-----|-----|----|----|----|------------|-------------------|-------------|
| ABX-51TH3/64TH3 ABX-51SY2/64SY2 BND-51S2 BND-51C2 BND-51SY2 BND-34S5/34SY5 BNE-51S5/51SY5 BNE-34S3/51S BNJ-34S3/42S3/51S3 BNJ-34SY3/42SY3/51SY3 BNJ-34S2/42S2/51S2 BNJ-34SY2/42SY2/51SY2 BNJ-34S/42S/34SY/42SY LZ-01R2/01RY2 LZ-02R2/02RY2 | 25 | 105 | 92 | 72 | 50 | 85 | 306034-000 | BNE-B25x2-85 | 3.6 |
| | 25 | 105 | 100 | 72 | 50 | 85 | 30603Q-000 | BNE-B25x2-85-100L | 4 |
| | 25.4 | 105 | 92 | 72 | 50 | 85 | 3F1031-000 | BNE-B25.4x2-85 | 3.6 |

BORING BAR HOLDER 內孔刀座



DIMENSIONS

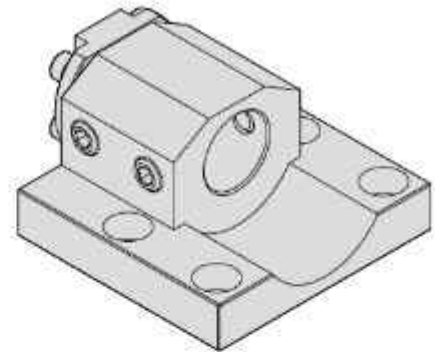
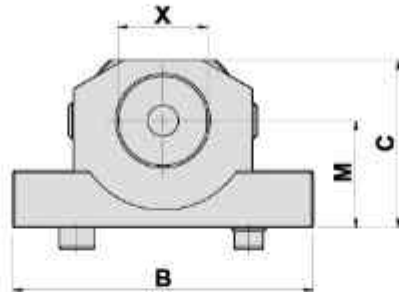
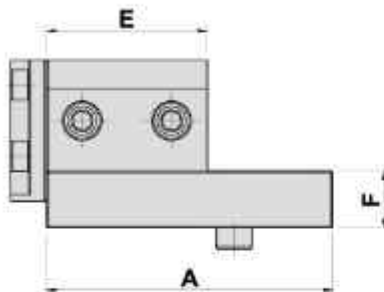
- External coolant supply 外部出水
- Internal coolant supply 內部出水

| Models | X | A | B | C | M | Code No. | Order No. | (Kg) Weight |
|--|----|-----|-----|----|----|------------|-----------------|-------------|
| ABX-51TH3/64TH3 ABX-51SY2/64SY2 BND-51S2 BND-51C2 BND-51SY2 BND-34S5/34SY5 BNE-51S5/51SY5 BNE-34S3/51S BNJ-34S3/42S3/51S3 BNJ-34SY3/42SY3/51SY3 BNJ-34S2/42S2/51S2 BNJ-34SY2/42SY2/51SY2 BNJ-34S/42S/34SY/42SY LZ-01R2/01RY2 LZ-02R2/02RY2 | 25 | 105 | 100 | 72 | 85 | 30603K-000 | BNE-B25-85-100L | 4.2 |

BORING BAR HOLDER

TYPE MIYANO BNJ

内孔刀座



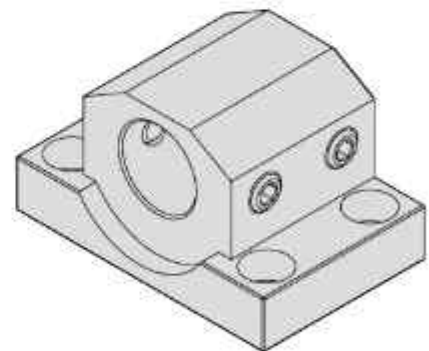
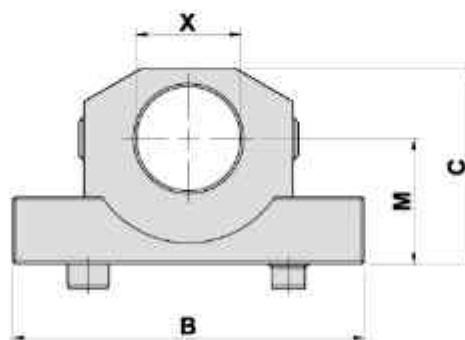
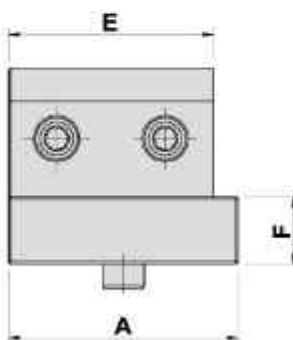
DIMENSIONS

● Internal coolant supply 内部出水

| Models | X | A | B | C | E | F | M | Code No. | Order No. | (Kg) Weight |
|--|----|----|----|----|----|----|----|------------|---------------------------|-------------|
| BNJ-34S3/42S3/51S3 BNJ-34SY3/42SY3/51SY3 BNJ-34S2/42S2/51S2 BNJ-34SY2/42SY2/51SY2 | 25 | 80 | 84 | 47 | 45 | 16 | 30 | 30603C-000 | 4W74A000- BNJ-B25-30-A | 1.2 |

BORING BAR HOLDER

内孔刀座



DIMENSIONS

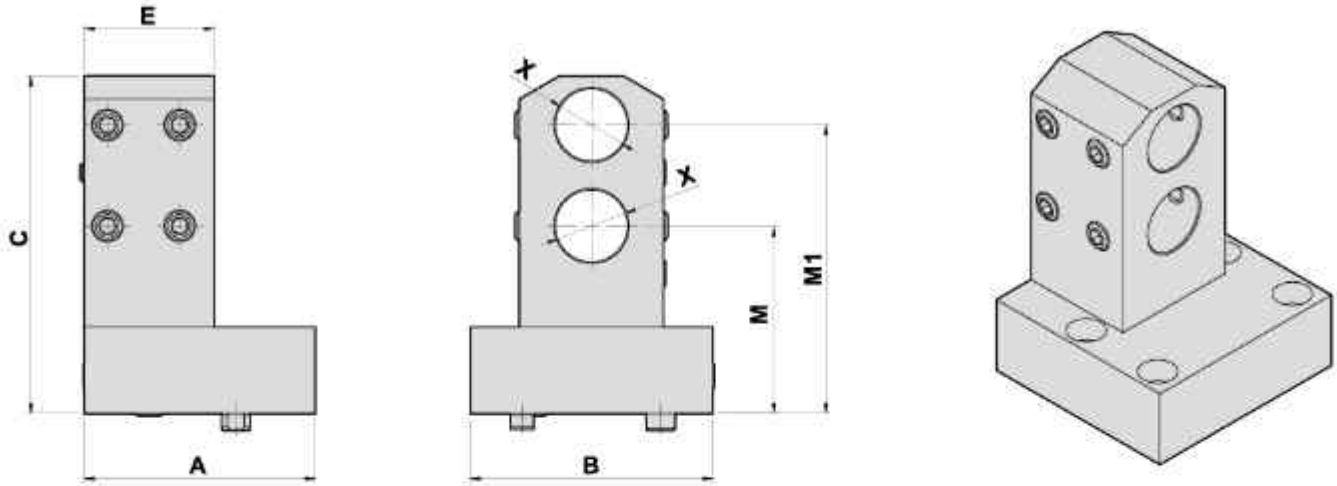
● External coolant supply 外部出水

| Models | X | A | B | C | E | F | M | Code No. | Order No. | (Kg) Weight |
|---|----|----|----|----|----|----|----|------------|-------------------------|-------------|
| BNJ-34S3/42S3/51S3 BNJ-34SY3/42SY3/51SY3 BNJ-34S2/42S2/51S2 BNJ-34SY2/42SY2/51SY2 BNJ-34S/42S/34SY/42SY | 25 | 55 | 84 | 47 | 49 | 16 | 30 | 30603D-000 | 2K749001- BNJ-B25-30 | 0.9 |

DOUBLE BORING BAR HOLDER

TYPE MIYANO BNJ

雙內孔刀座



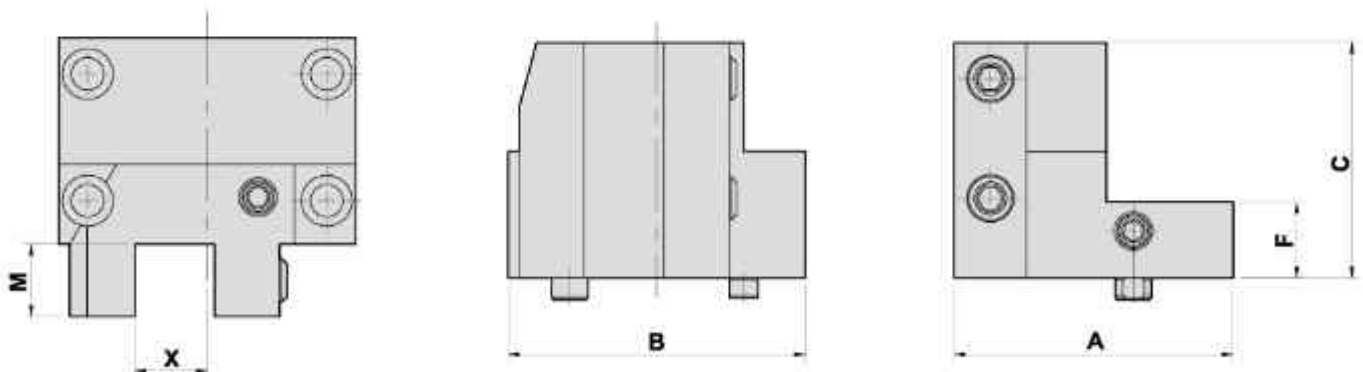
DIMENSIONS

• Internal, External coolant supply 內外部出水

| Models | X | A | B | C | E | M | M1 | Code No. | Order No. | (Kg) Weight |
|-----------|----|----|----|-----|----|----|-----|------------|--------------------|-------------|
| BNJ51-SY6 | 25 | 80 | 84 | 117 | 45 | 65 | 100 | 30603P-000 | DV73B000-BNJ-B25x2 | 2.7 |

TURNING HOLDER

外徑刀座



DIMENSIONS

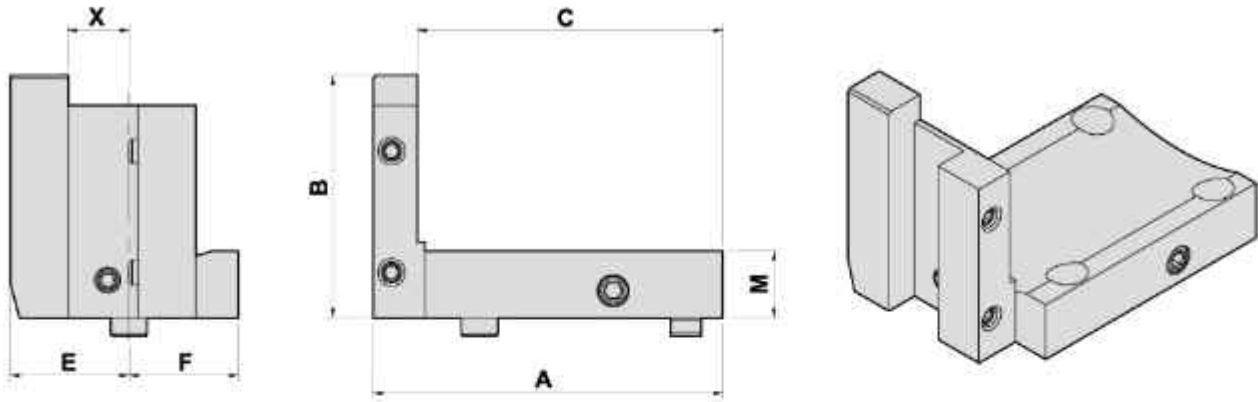
• External coolant supply 外部出水

| Models | X | A | B | C | F | M | Code No. | Order No. | (Kg) Weight |
|-----------|----|----|----|----|----|----|------------|------------------|-------------|
| BNJ51-SY6 | 20 | 77 | 82 | 65 | 21 | 20 | 40503C-000 | DV73A000-BNJ-C20 | 1.6 |

CUTTING HOLDER

TYPE MIYANO BNA-BNB

切斷刀座



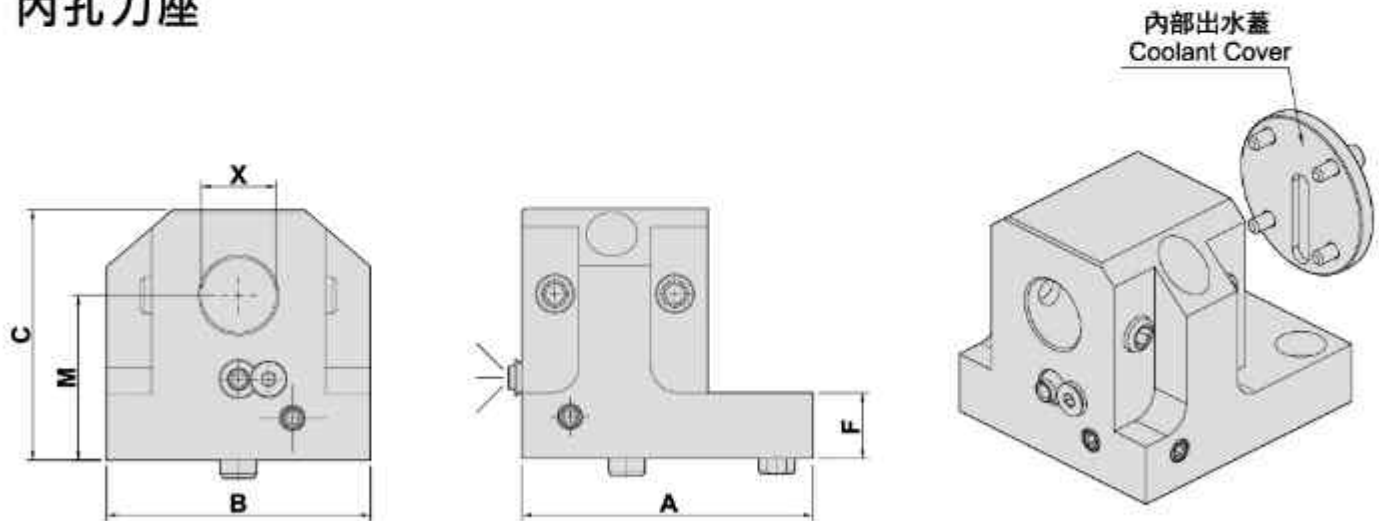
DIMENSIONS

● External coolant supply 外部出水

| Models | X | A | B | C | E | F | M | Code No. | Order No. | (Kg) Weight |
|---|----|-----|----|-----|----|----|----|------------|-----------------|-------------|
| BNJ-34S3/42S3/51S3 BNJ-34SY3/42SY3/51SY3 BNJ-34S2/42S2/51S2 BNJ-34SY2/42SY2/51SY2 BNJ-34S/42S/34SY/42SY | 20 | 115 | 80 | 101 | 39 | 36 | 22 | 705037-000 | 2X782401-R20-12 | 1.4 |

BORING BAR HOLDER

內孔刀座



DIMENSIONS

● External coolant supply 外部出水
● Internal coolant supply 内部出水

| Models | X | A | B | C | F | M | Code No. | Order No. | (Kg) Weight |
|---------|----|----|----|------|----|----|------------|----------------|-------------|
| LX-06E2 | 25 | 97 | 88 | 83.5 | 22 | 55 | 306038-000 | LX-06E2-B25-55 | 3 |